

BOOMRACING 



LAND ROVER SERIES III



Pickup Truck

1/10 HARD BODY KIT 280MM



Congratulations!

Congratulations on your new Land Rover Series III 88 Pickup.

We are proud to announce that after many years of hard work and dedication, we have finally landed a licensing agreement with Land Rover - one of the most iconic off-road car companies in history.

It took us years of research to understand the needs and wants of our customers, as well as to improve our manufacturing techniques. The Series III body is the result of consistent improvement, and it has been a fun and exciting development journey for us. We believe that we left no stone unturned to ensure we deliver the best possible product.

In this box, you will find extra pieces that will allow you to customize your own Land Rover Series III 88 Pickup. You can choose to build either the hardtop or the convertible. The instruction manual is meticulously done to guide you through different building options.

To make the Series III ultra-scale, we constructed the body using a similar design concept to how they were built in the factories back in the day - using multiple body panels to build the complete body.

This body is designed to fit our BRX02 88 chassis, which includes all the necessary parts to complete the quick-release system.

We hope that you enjoy this body as much as we do. Now, experience the ageless charm of this iconic vehicle and take a step back in time to enjoy a simpler and classier era.

Jason Patrick Tsang
Boom Racing Owner and Founder





Apply Double Sided Tape



Pay attention to note



Apply Glue

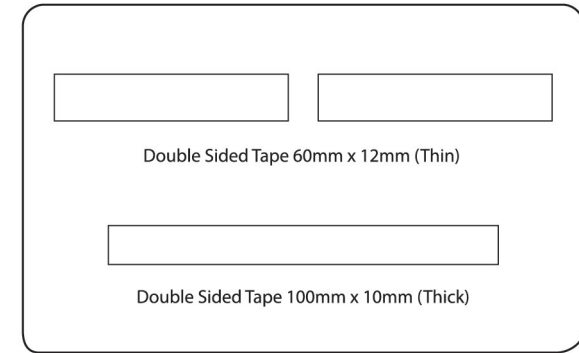
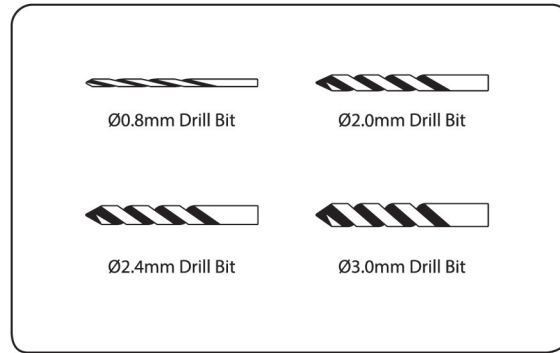
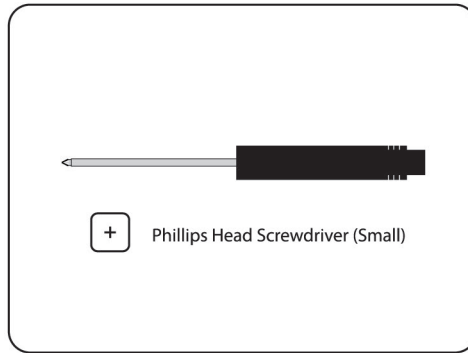


Drill Hole

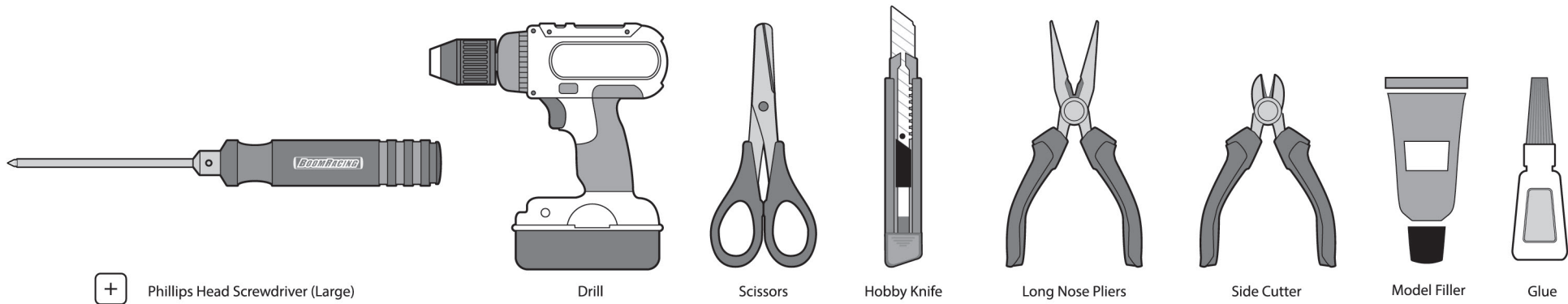


Apply Model Filler

Tools Included

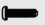
















Tools Required

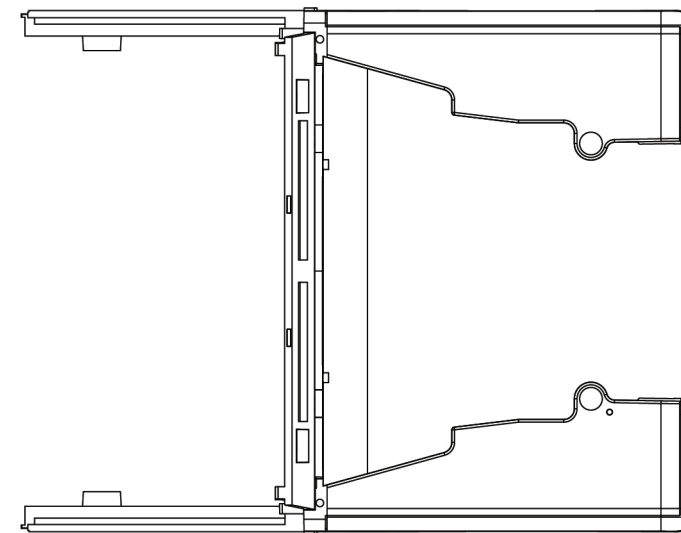




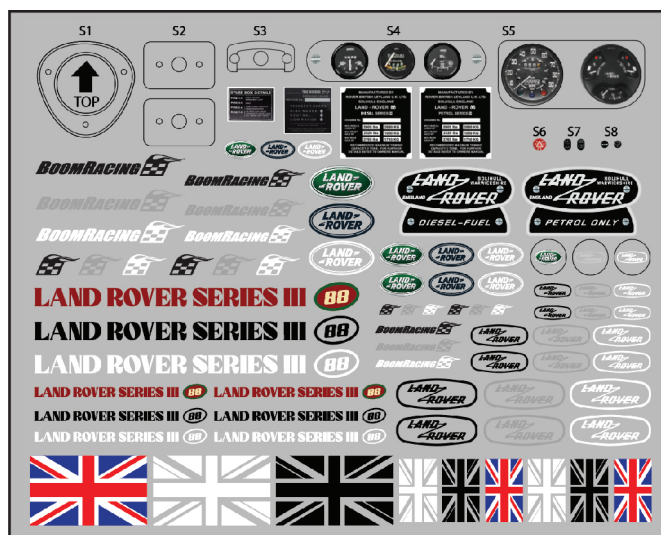
All screw indicators in this manual are 1:1 size (extra screws included).

- | | |
|--|---|
|  M1x4 Phillips Head Self-Tapping Screw (27)
ST1X4 |  M2.6x6 Phillips Head Self-Tapping Screw (2)
ST2.6x6 |
|  M1x6 Phillips Head Self-Tapping Screw (6)
ST1X6 |  M2.6x10 Phillips Head Self-Tapping Screw (2)
ST2.6x10 |
|  M1.2x4 Phillips Head Self-Tapping Screw (16)
ST1.2x4 |  M2x8 Counter Sunk Phillips Head Self-Tapping Screw (12)
STCS2x8 |
|  M1.2x8 Phillips Head Self-Tapping Screw (2)
ST1.2x8 |  M3x6 Counter Sunk Phillips Head Self-Tapping Screw (2)
STCS3x6 |
|  M1.5x5 Phillips Head Self-Tapping Screw (6)
ST1.5x5 |  M2x8 Counter Sunk Phillips Head Screw (4)
M2x8CSS |
|  M2x5 Phillips Head Self-Tapping Screw (10)
ST2x5 |  D3x4 Spring Plunger (4) |
|  M2x6 Phillips Head Self-Tapping Screw (14)
ST2x6 |  Magnet (2)
OST8x3 |
|  M2x8 Phillips Head Self-Tapping Screw (6)
ST2x8 | |

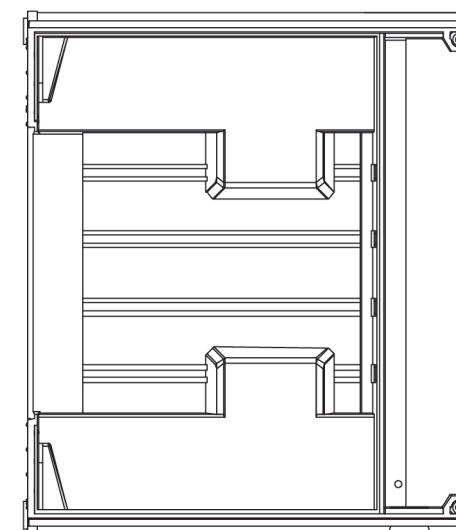
Screw Set for Series III 88 & 109 Body
#BRX02333



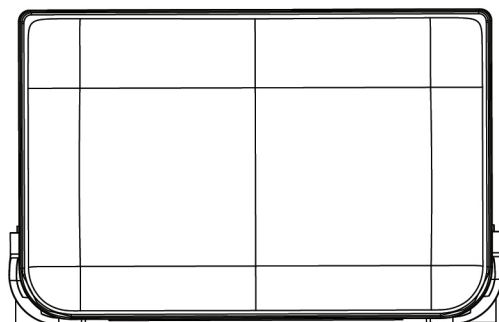
Front Body
#BRX02301



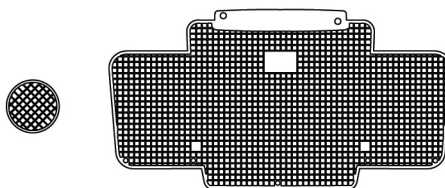
Decal Sticker Series III 88 Pickup
#BRX02332



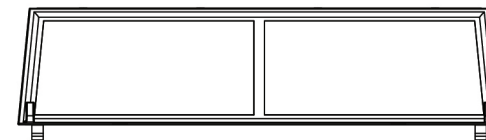
88 Rear Bed
#BRX02331



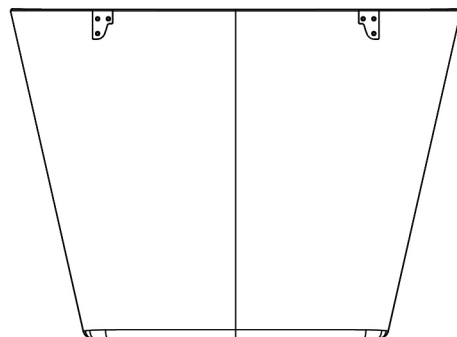
Pickup Hardtop
#BRX02303



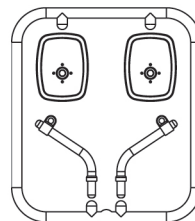
**Stainless Steel
Front Radiator Grill Mesh &
Wing Air Intake Filter**
#BRX02307



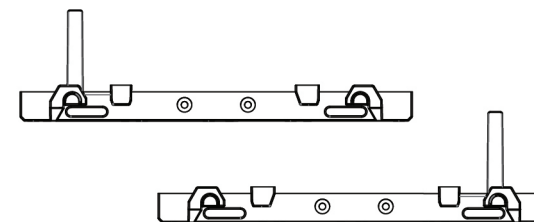
Windscreen Frame
#BRX02313



Bonnet
#BRX02315

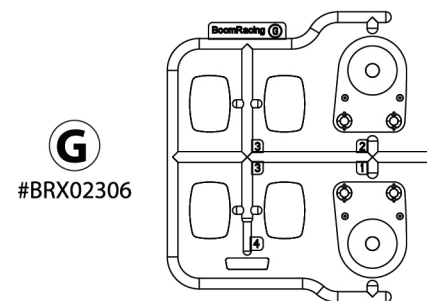
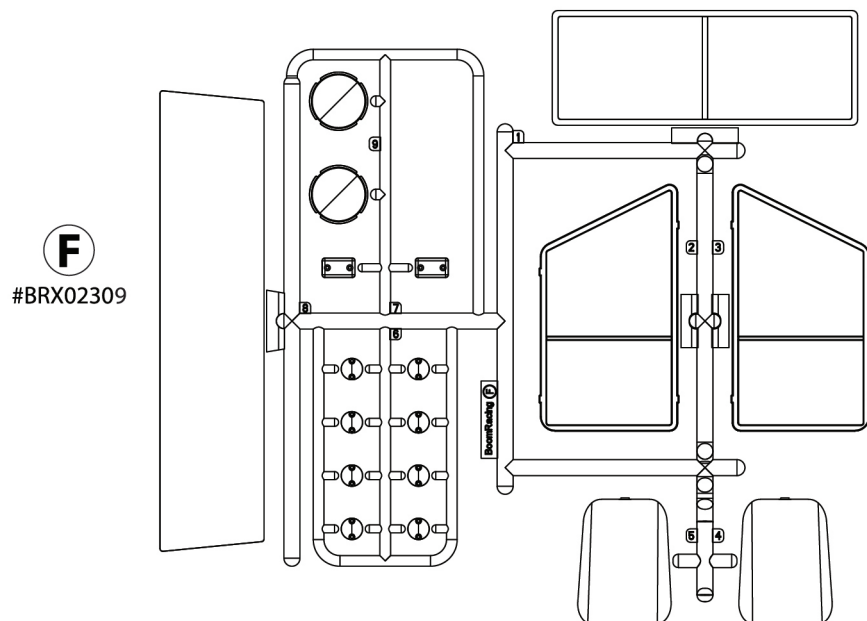
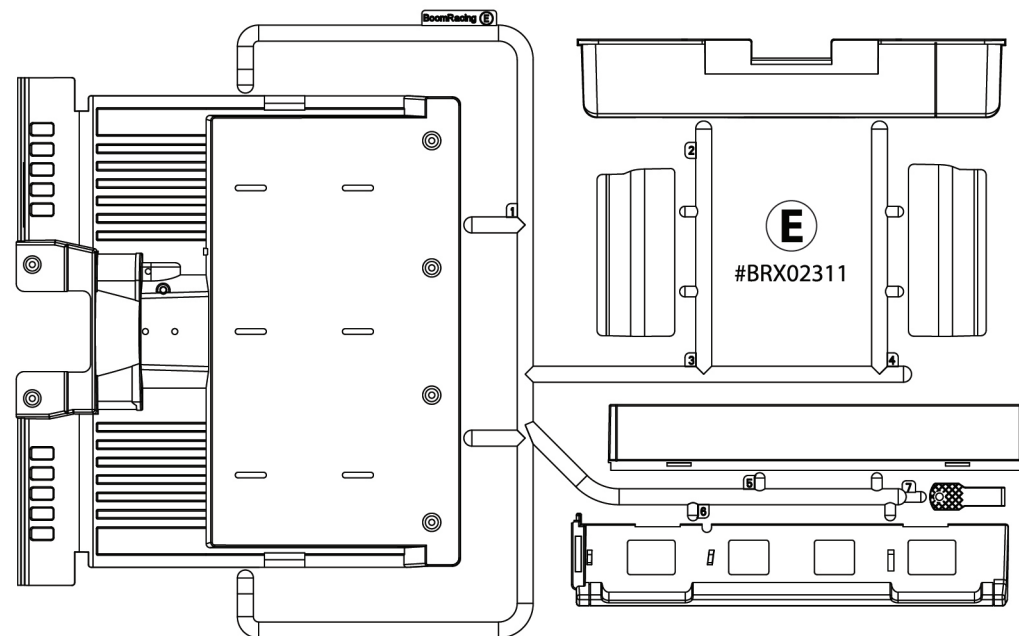
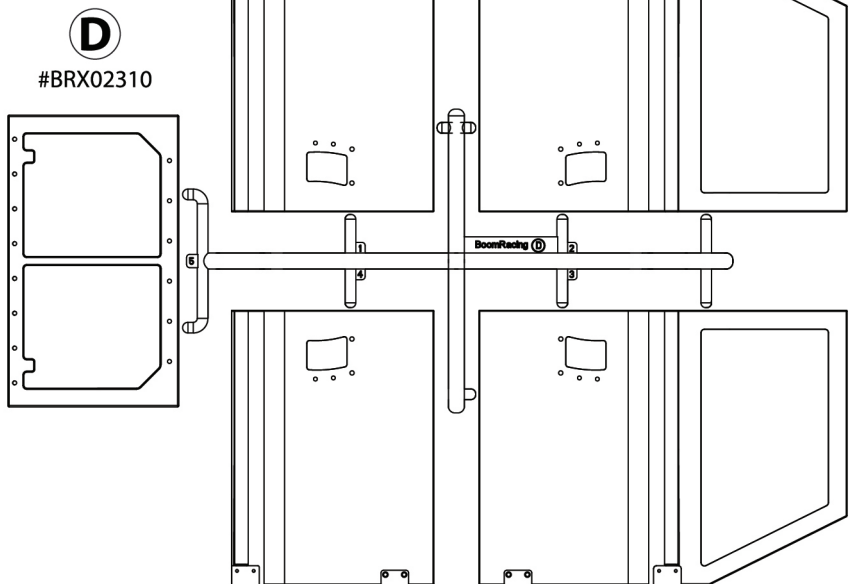


Rubber Side Mirrors
#BRX02317



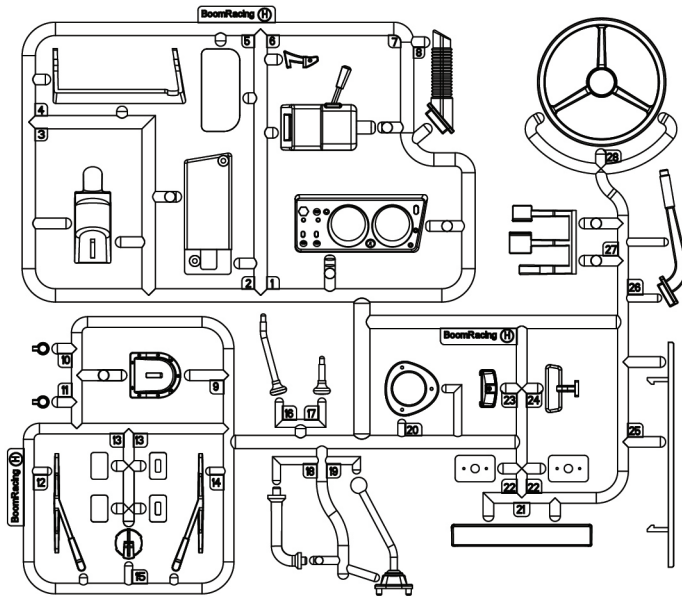
Aluminum Body Brace (Left & Right)
#BRX020112

Note: some parts are not attached to the part trees for packaging reasons.

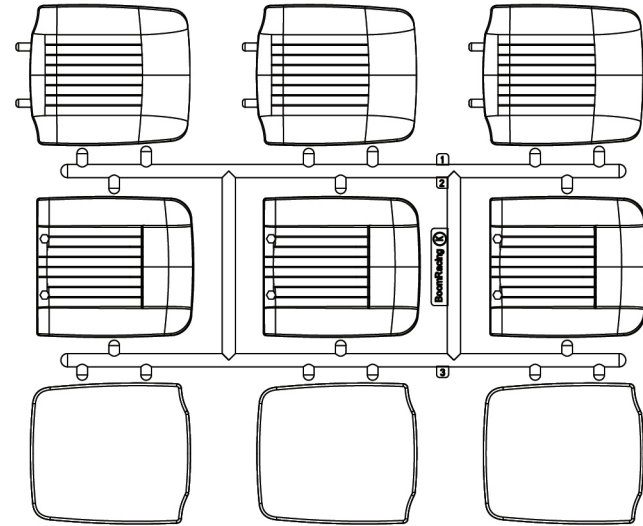


Note: some parts are not attached to the part trees for packaging reasons.

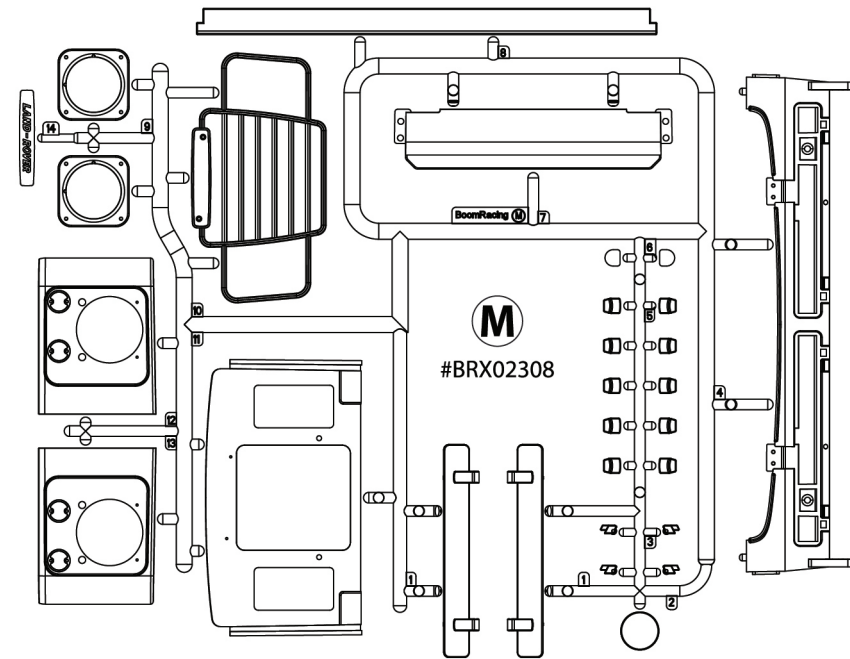
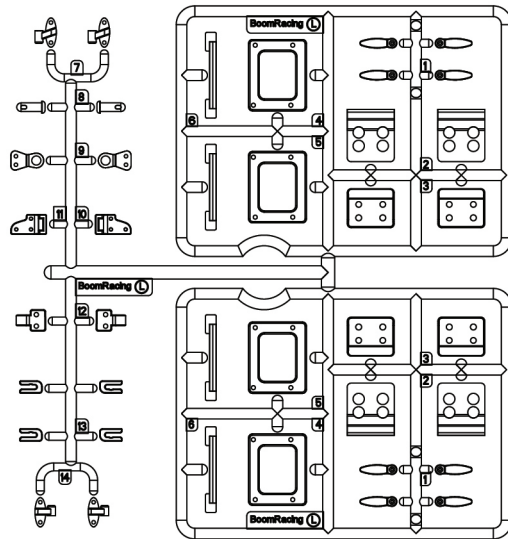
H
#BRX02305



K
#BRX02304



L
#BRX02316



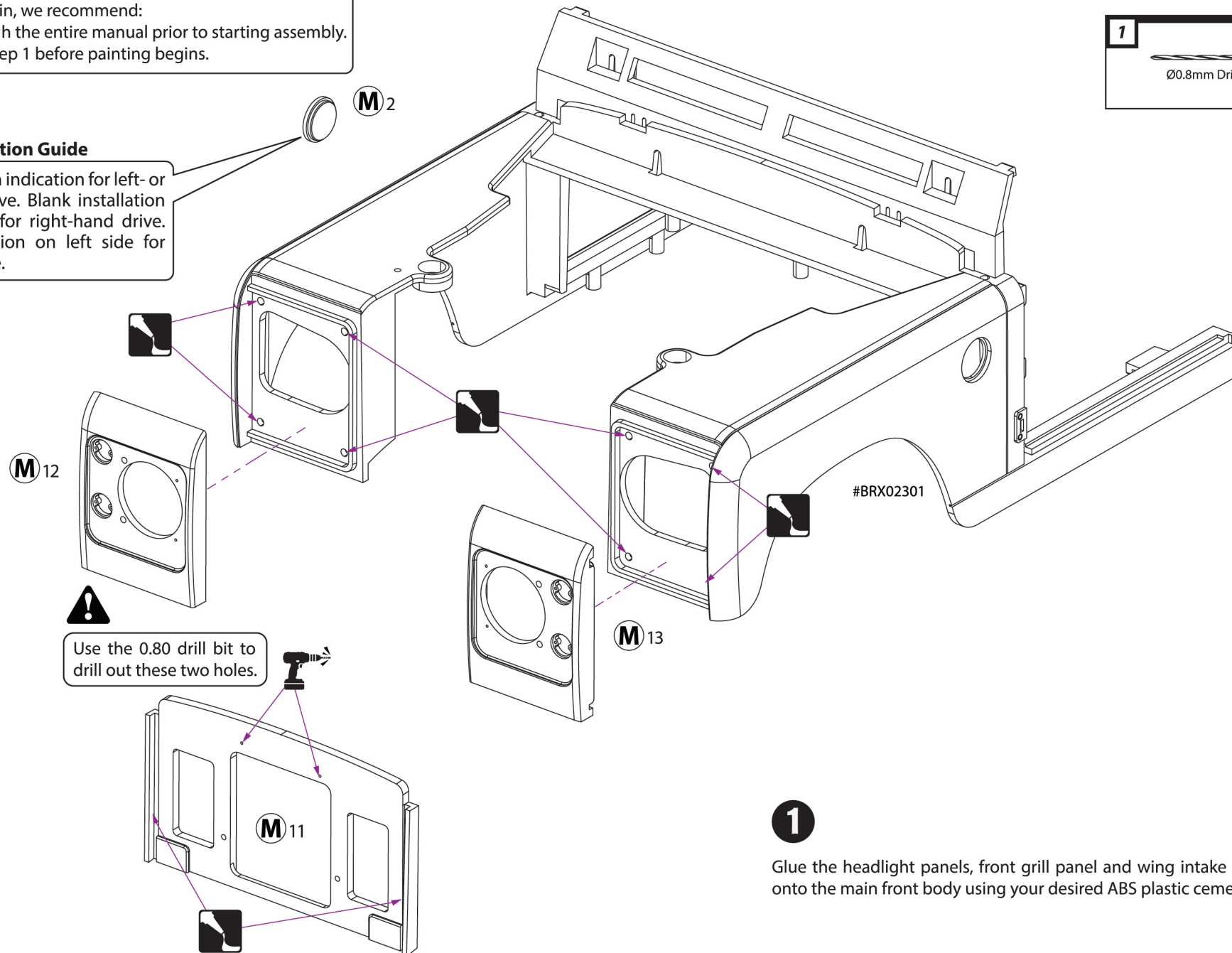


Before you begin, we recommend:

- ① Read through the entire manual prior to starting assembly.
- ② Complete step 1 before painting begins.

Blank Installation Guide

This blank is an indication for left- or right-hand drive. Blank installation on right side for right-hand drive. Blank installation on left side for left-hand drive.

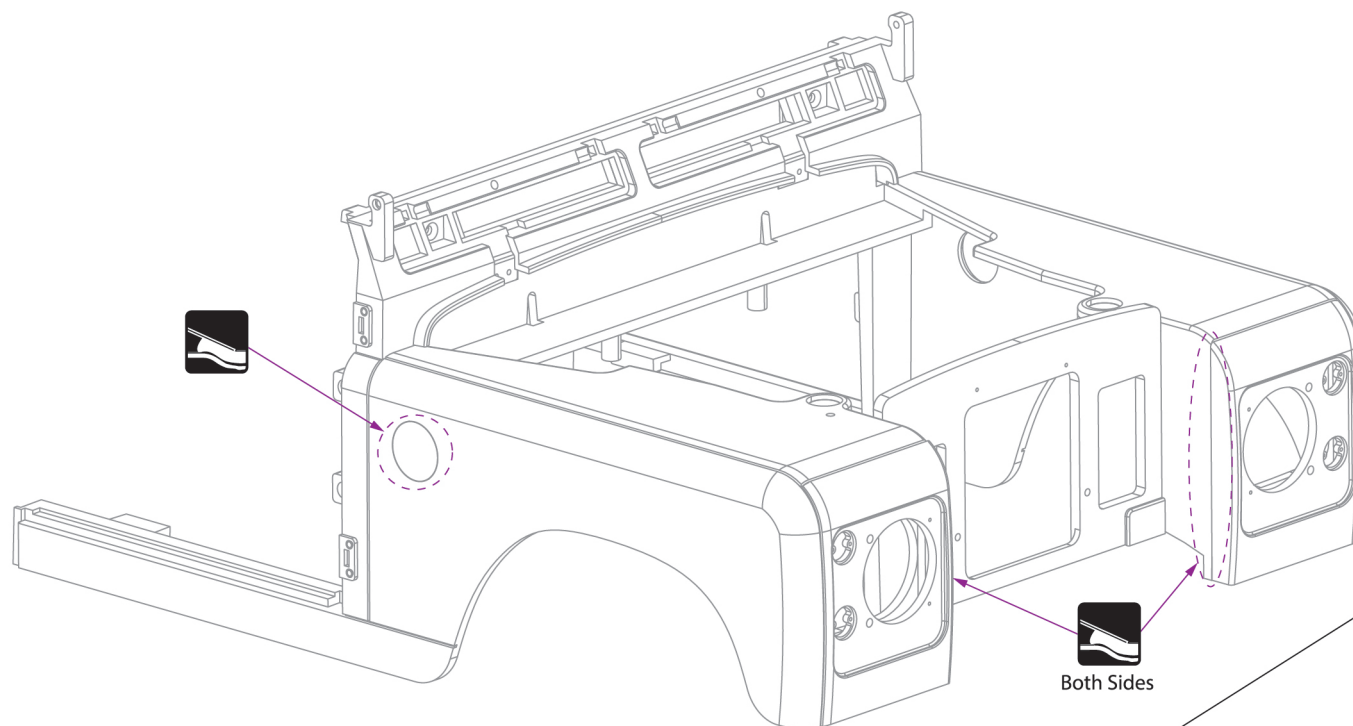


1

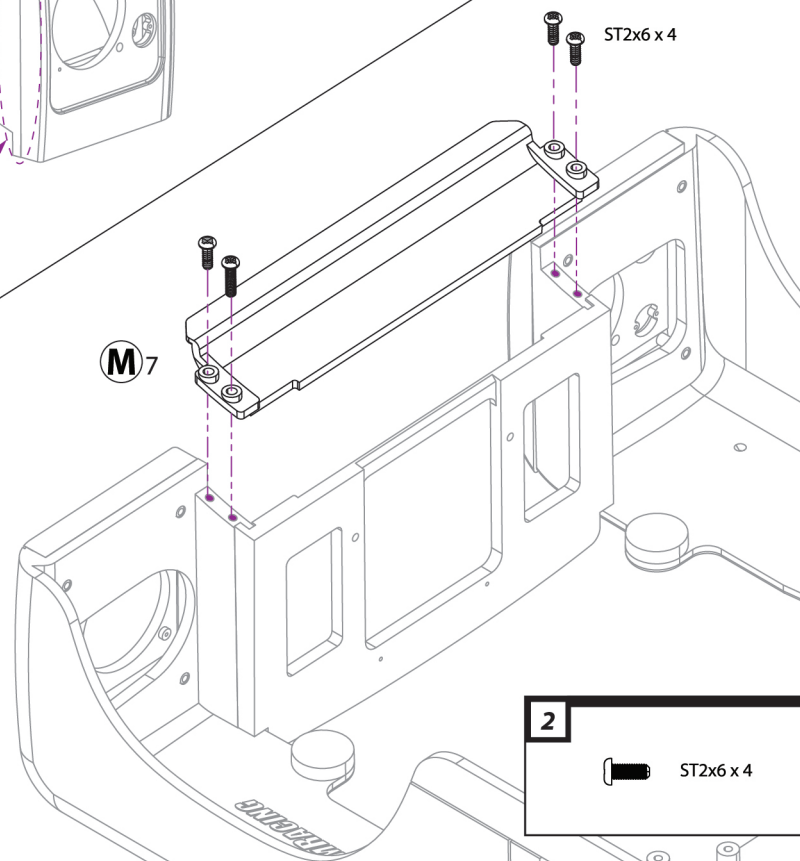
Ø0.8mm Drill Bit

1

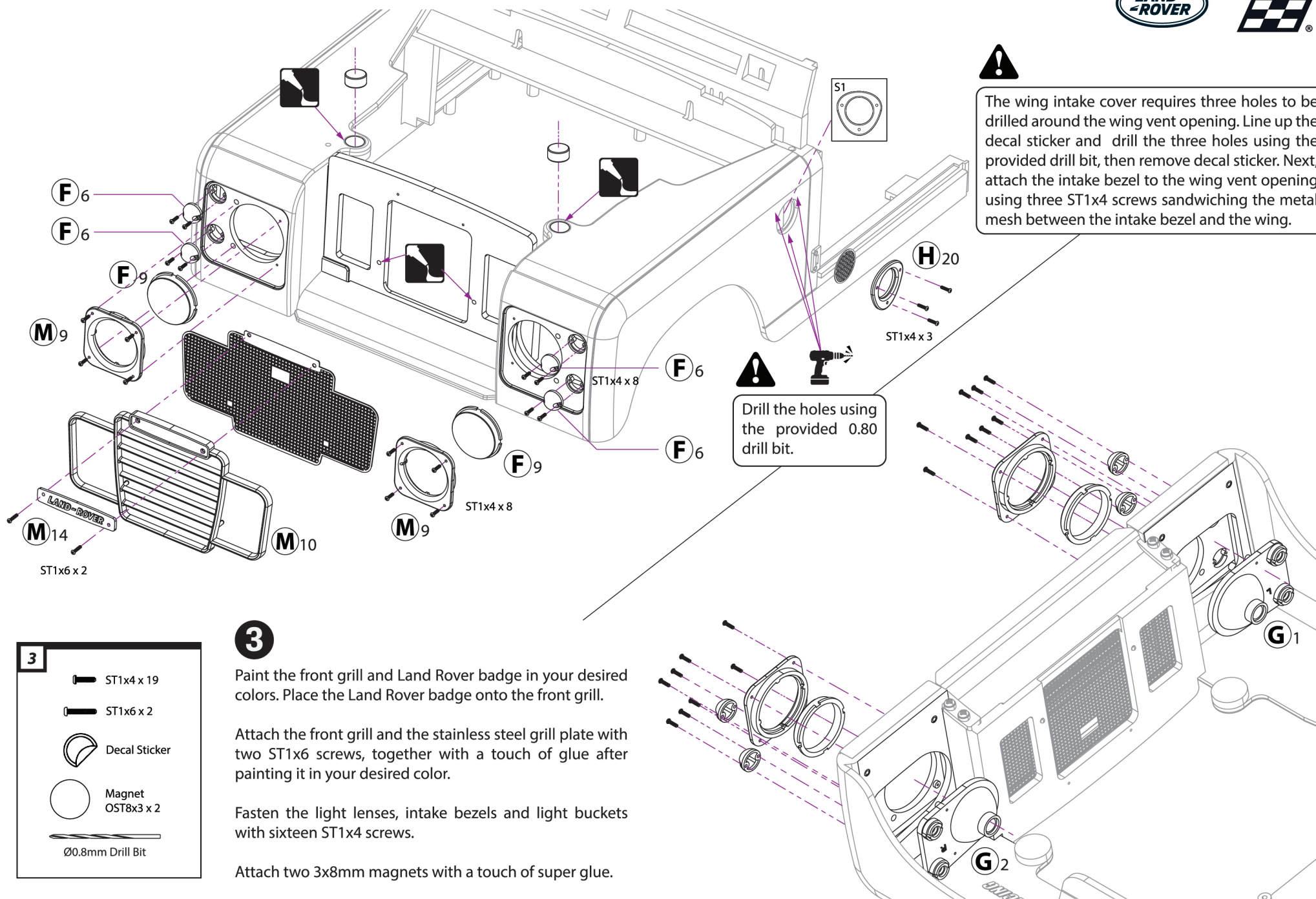
Glue the headlight panels, front grill panel and wing intake blank onto the main front body using your desired ABS plastic cement.



For the best results, we recommend using model filler (not included) to fill in these areas once they are glued together. If model filler is used, sand everything smooth before priming and painting.



2 Attach the front apron panel using four ST2x6 screws.



! The wing intake cover requires three holes to be drilled around the wing vent opening. Line up the decal sticker and drill the three holes using the provided drill bit, then remove decal sticker. Next, attach the intake bezel to the wing vent opening using three ST1x4 screws sandwiching the metal mesh between the intake bezel and the wing.

! Drill the holes using the provided 0.80 drill bit.

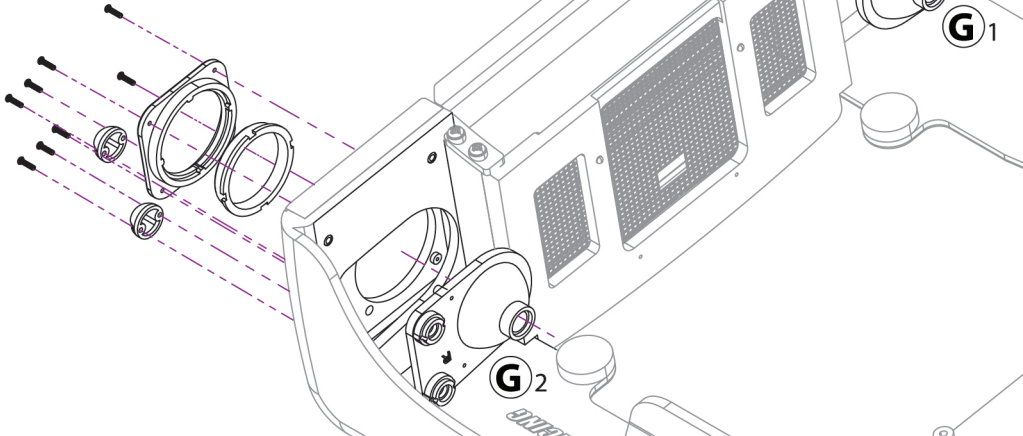
- 3**
- ST1x4 x 19
 - ST1x6 x 2
 - Decal Sticker
 - Magnet OST8x3 x 2
 - Ø0.8mm Drill Bit

3 Paint the front grill and Land Rover badge in your desired colors. Place the Land Rover badge onto the front grill.

Attach the front grill and the stainless steel grill plate with two ST1x6 screws, together with a touch of glue after painting it in your desired color.

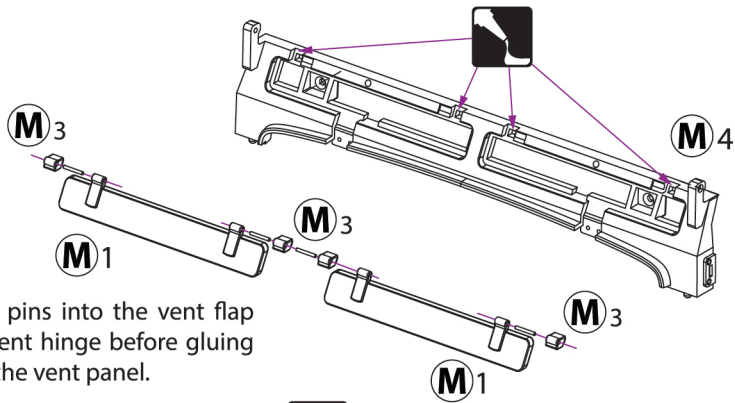
Fasten the light lenses, intake bezels and light buckets with sixteen ST1x4 screws.

Attach two 3x8mm magnets with a touch of super glue.



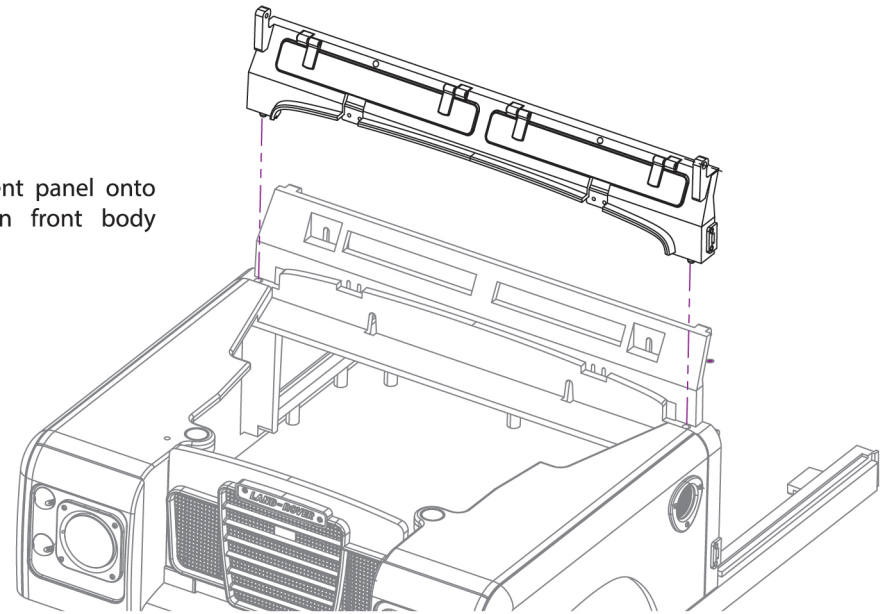
4

Insert pins into the vent flap and vent hinge before gluing onto the vent panel.



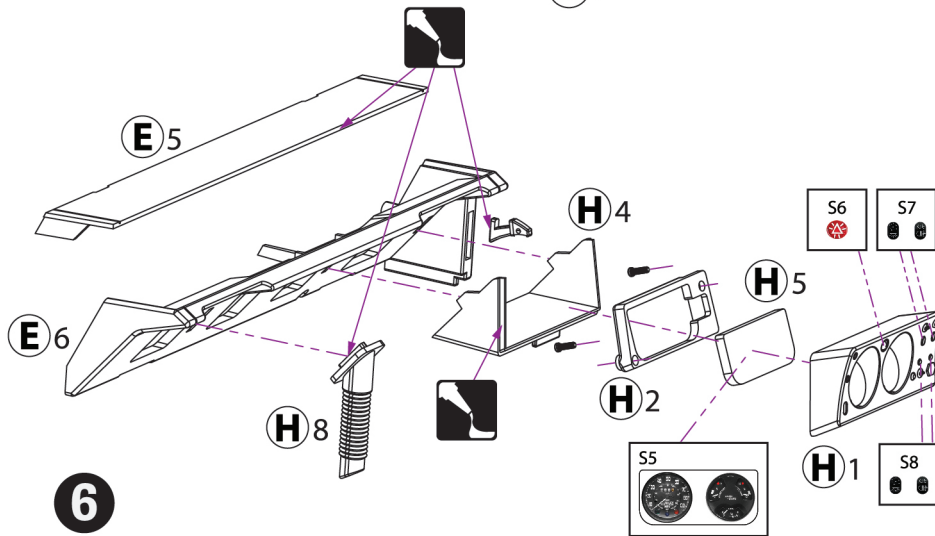
5

Insert vent panel onto the main front body section.



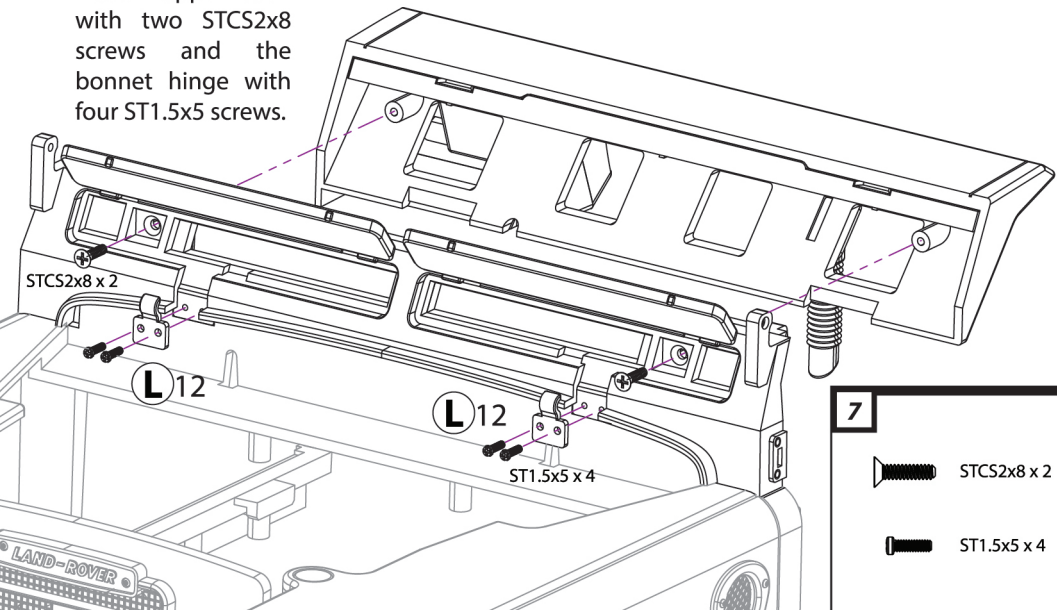
6

Glue the parts onto the upper dash as indicated and apply decal stickers to the instrument panel. Use two ST2x5 screws to fasten the instrument panel down.



7

Attach upper dash with two STCS2x8 screws and the bonnet hinge with four ST1.5x5 screws.



6

ST2x5 x 2

Decal Sticker

7

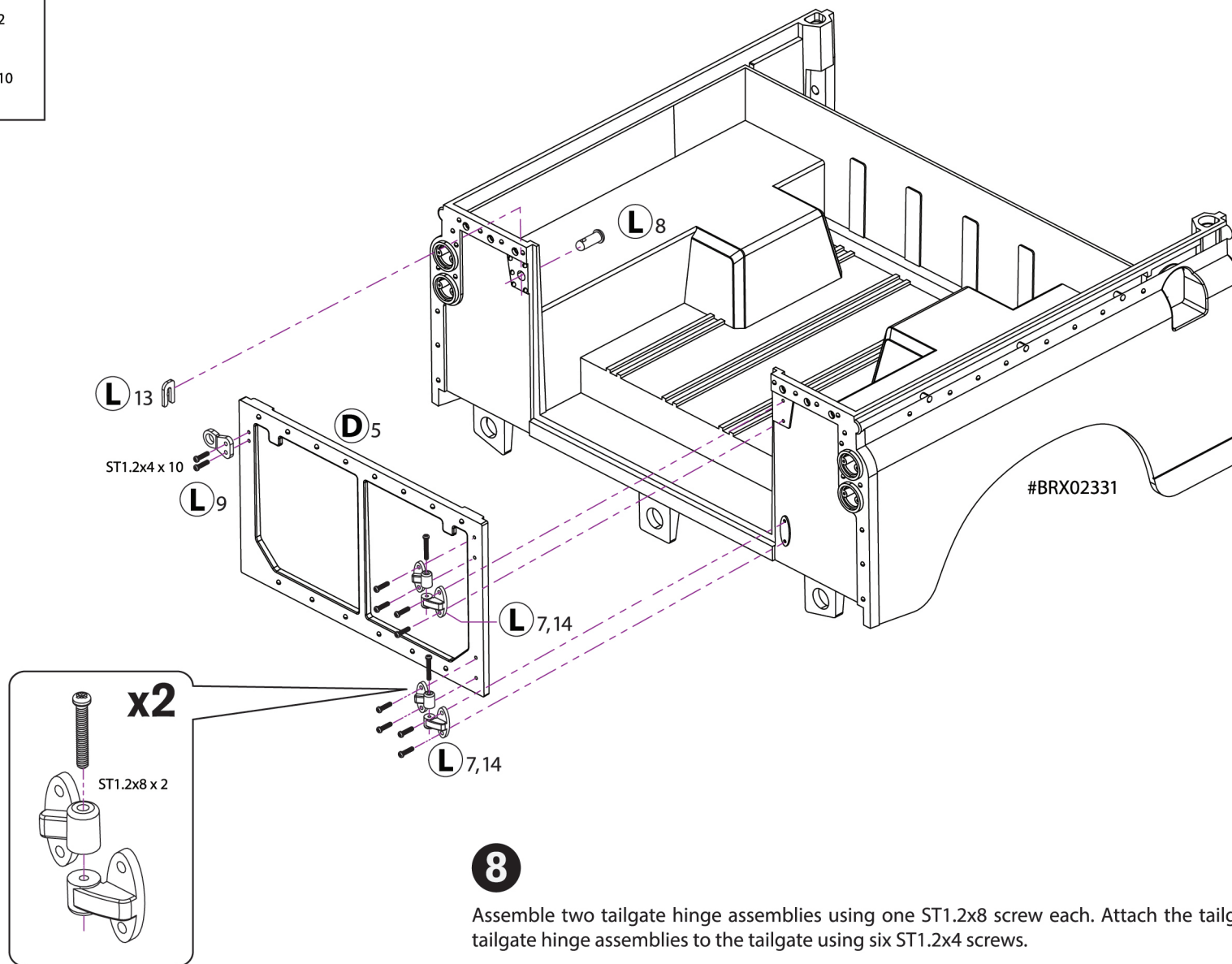
STCS2x8 x 2

ST1.5x5 x 4

8

ST1.2x8 x 2

ST1.2x4 x 10



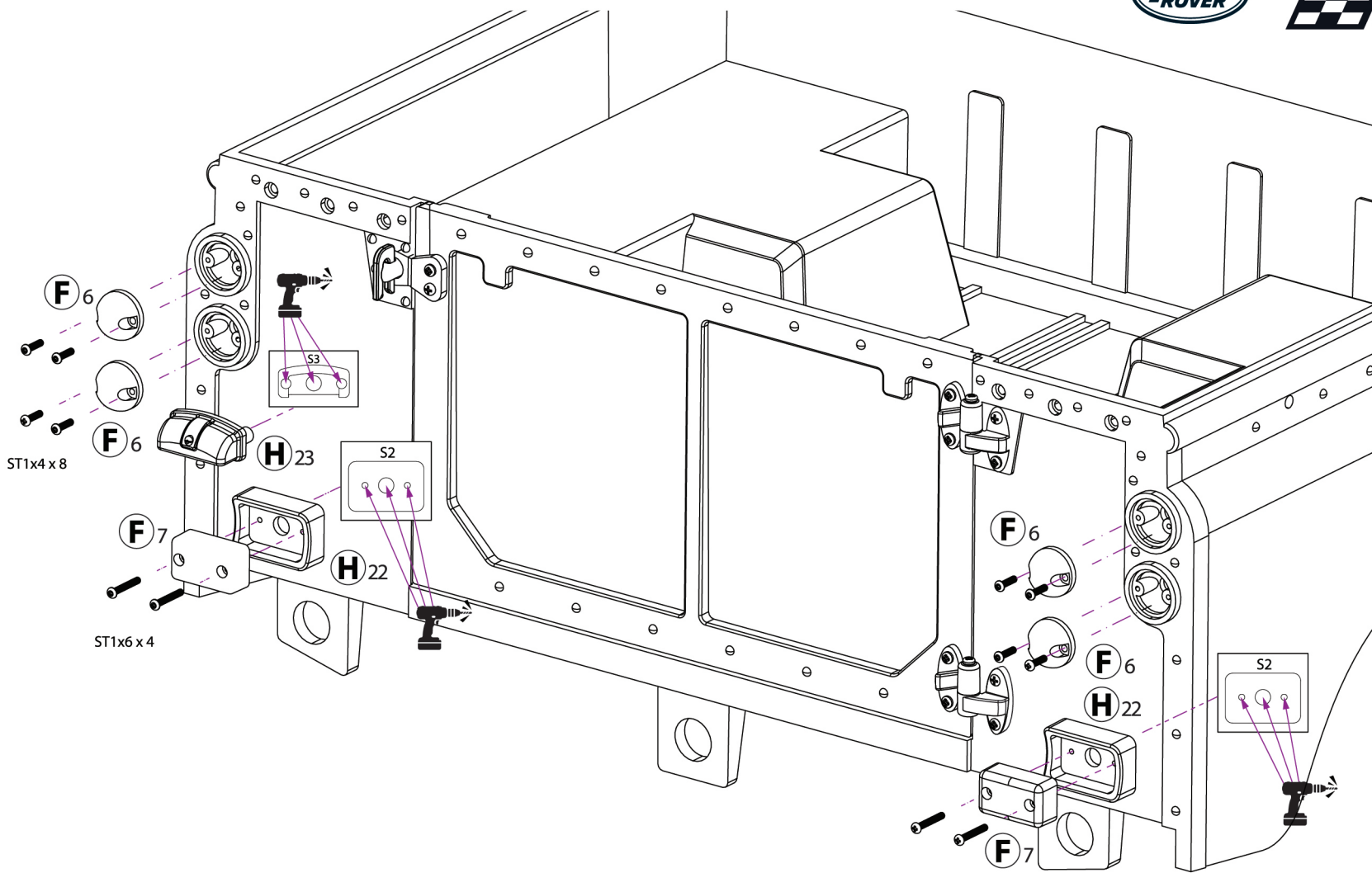
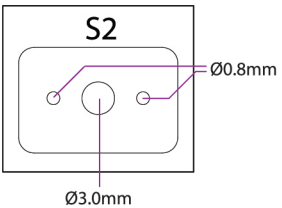
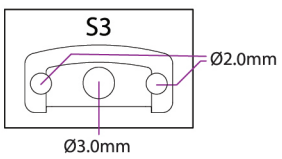
8

Assemble two tailgate hinge assemblies using one ST1.2x8 screw each. Attach the tailgate latch and the two tailgate hinge assemblies to the tailgate using six ST1.2x4 screws.

Insert the tailgate latch pin into the provided hole on the bed.

Attach the tailgate to the bed using four ST1.2x4 screws. Insert the tailgate lock into the tailgate latch and pin to secure the tailgate.

- 9**
- ST1x6 x 4
 - ST1x4 x 8
 - Decal Sticker
 - Ø0.8mm Drill Bit
 - Ø2.0mm Drill Bit
 - Ø3.0mm Drill Bit



For the rear square lights and rear number plate light, choose where you would like to position them. Use the provided decal sticker to drill the holes for the lights, 3mm for LED / 0.8mm for screws, then remove the decal sticker. Next, attach the square lights with four ST1x6 screws. The number plate light you have to drill two 2.0mm holes and attached with a dab of glue. Every Series III was different depending on regional laws, so we leave that placement up to you.

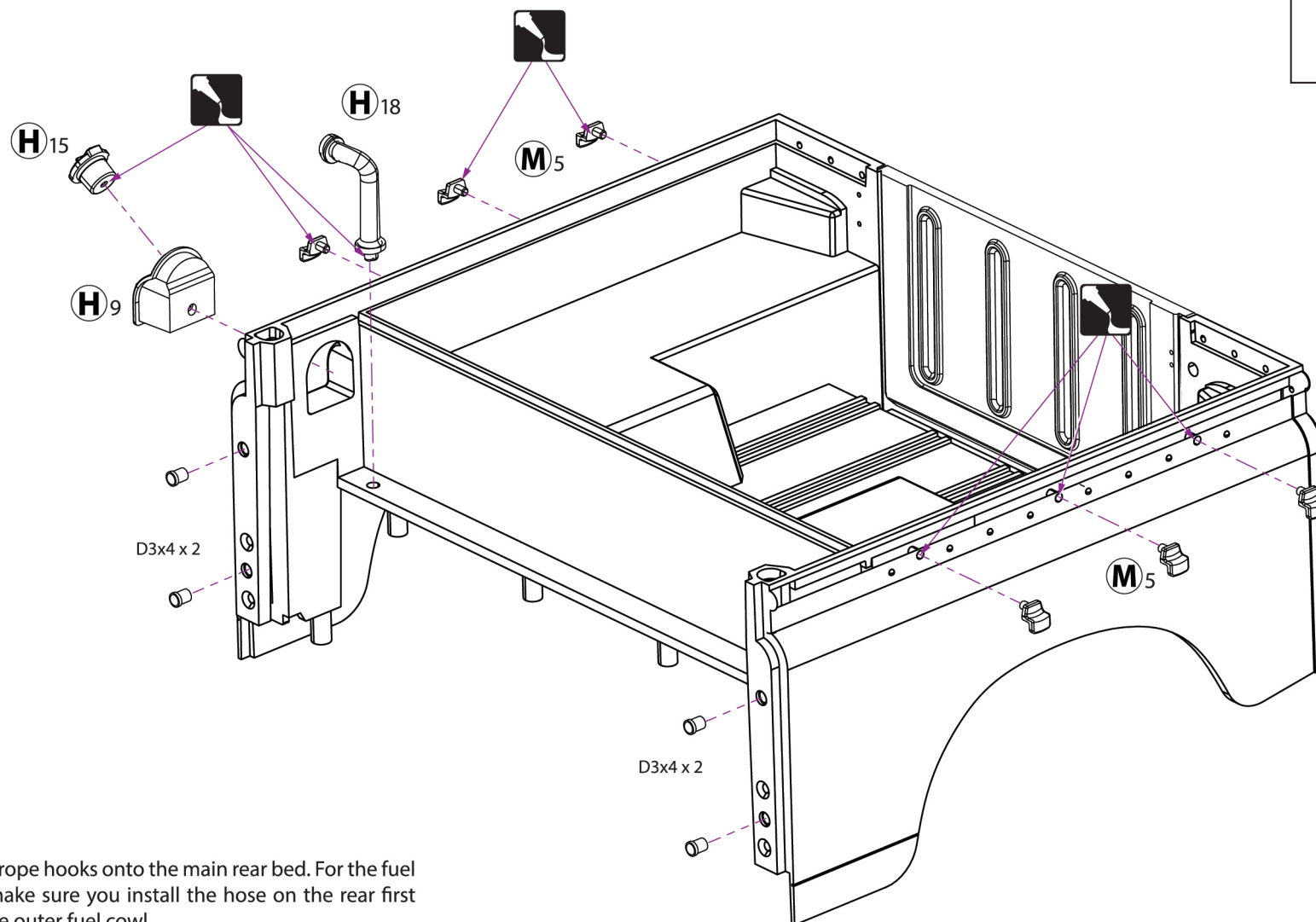
9

Attach rear light lenses with eight ST1x4 screws.

10



D3x4 x 4



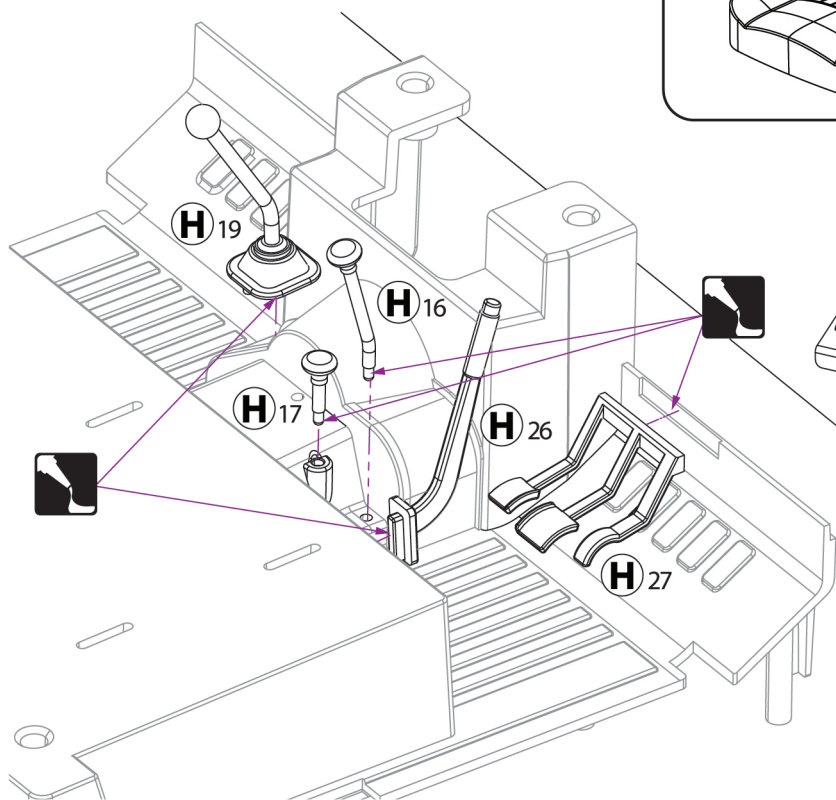
10

Glue all six side rope hooks onto the main rear bed. For the fuel cap assembly, make sure you install the hose on the rear first before gluing the outer fuel cowl.

Insert four D3x4 spring plunger catches into the bed as indicated.

11

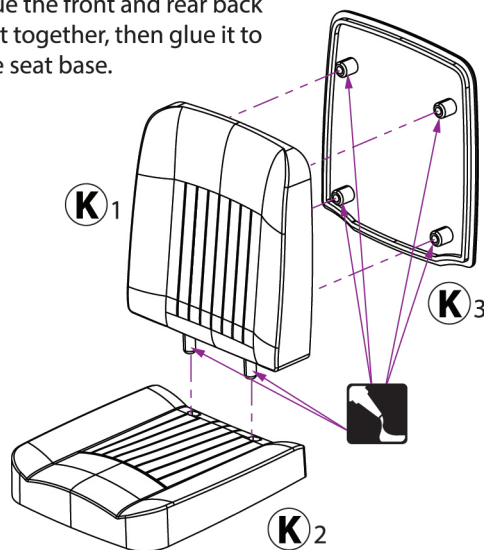
Attach the gear stick, hi/low stick, 2WD/4WD stick, handbrake and foot pedals with a touch of glue to the interior floor panel.



12

x3

Glue the front and rear back rest together, then glue it to the seat base.

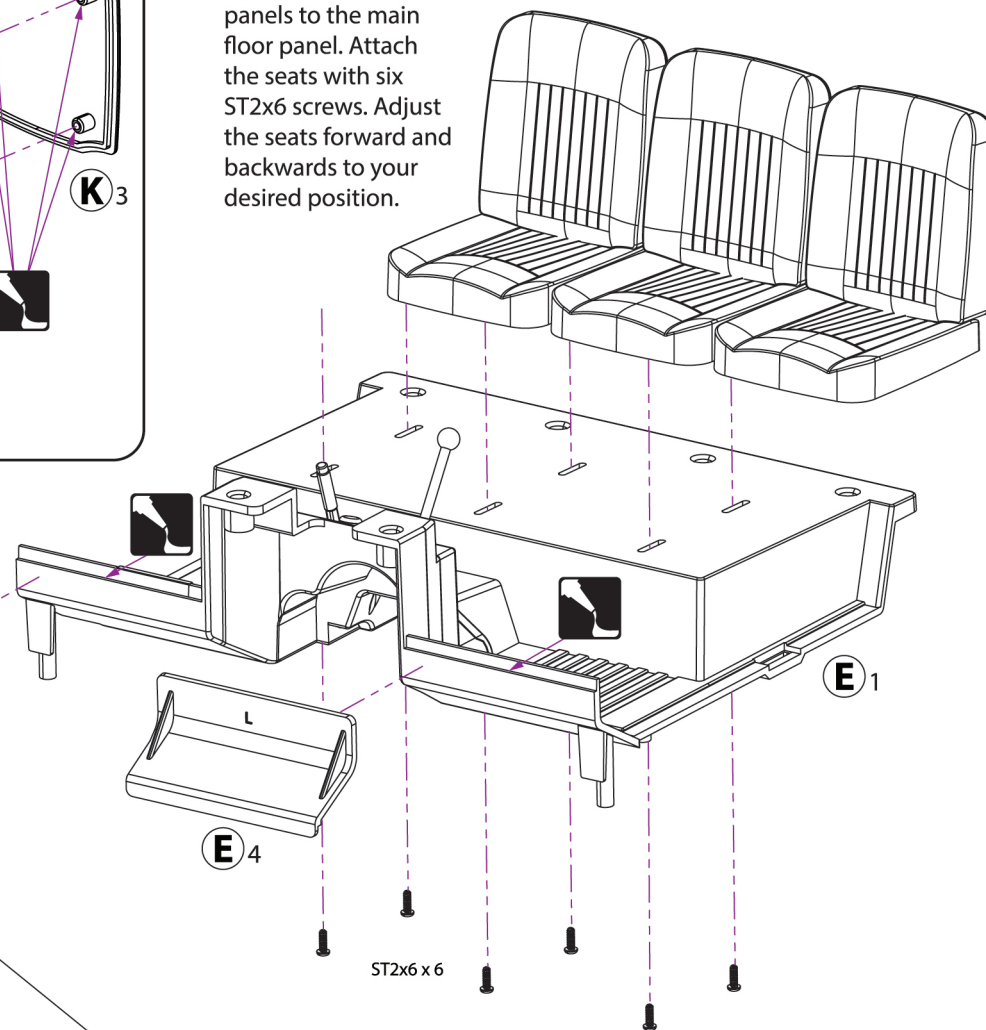
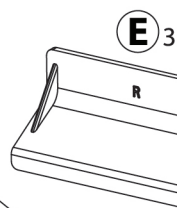


13

Glue the left and right front floor panels to the main floor panel. Attach the seats with six ST2x6 screws. Adjust the seats forward and backwards to your desired position.

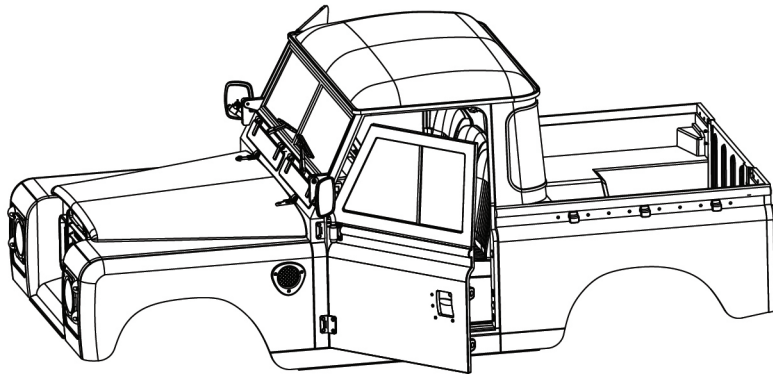
13

ST2x6 x 6



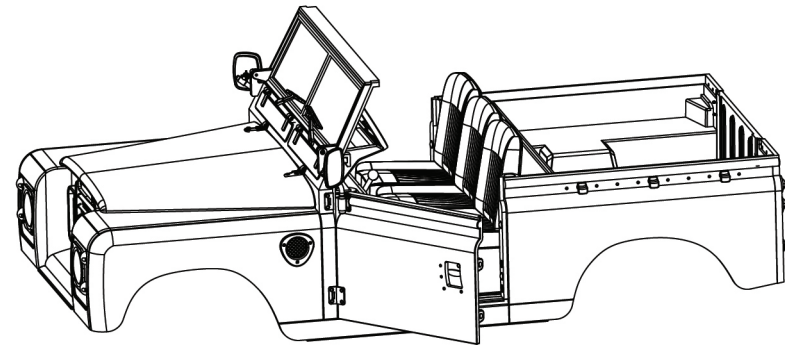


ARE YOU BUILDING A HARDTOP OR CONVERTIBLE TRUCK?



HARDTOP

P. 16



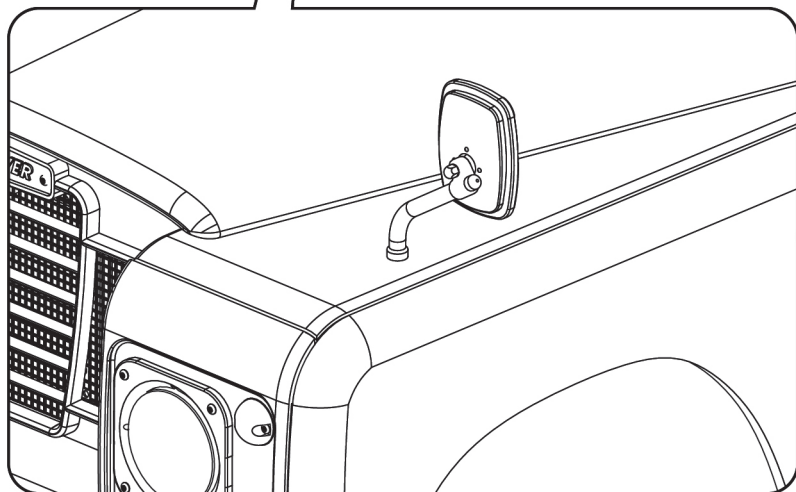
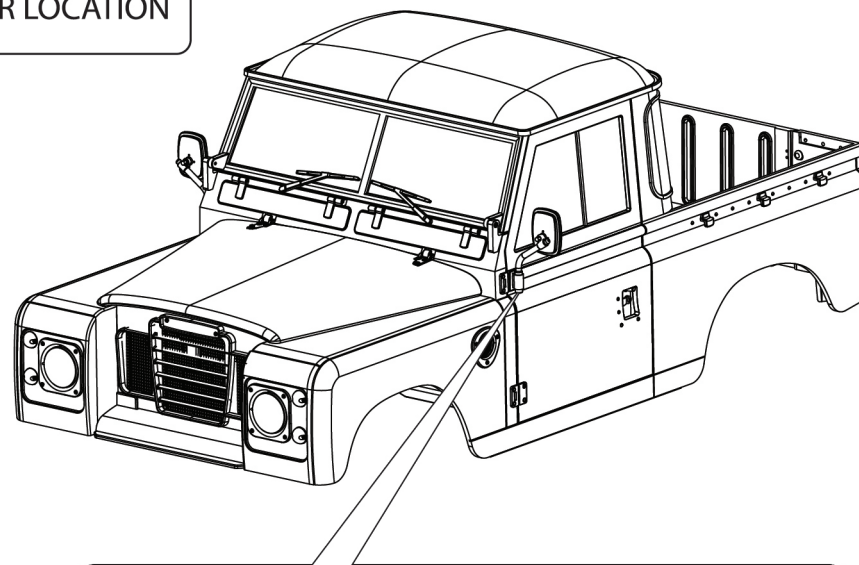
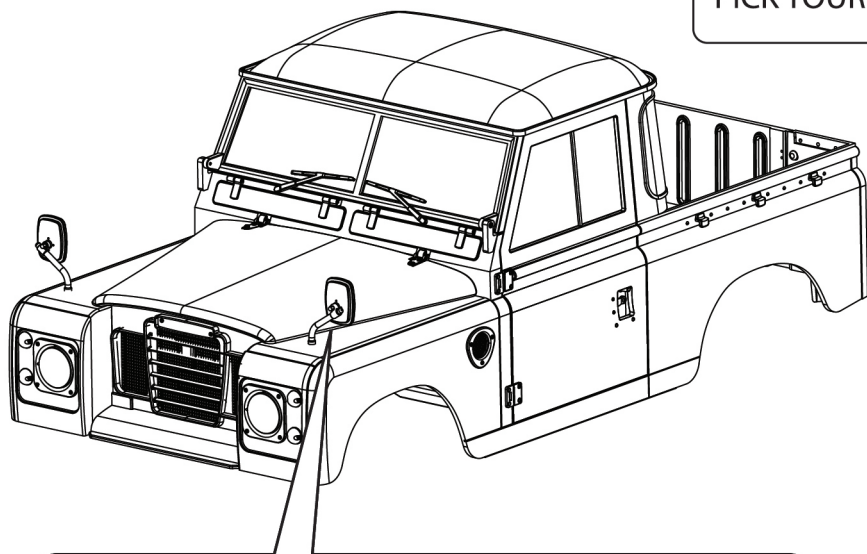
CONVERTIBLE

P. 27

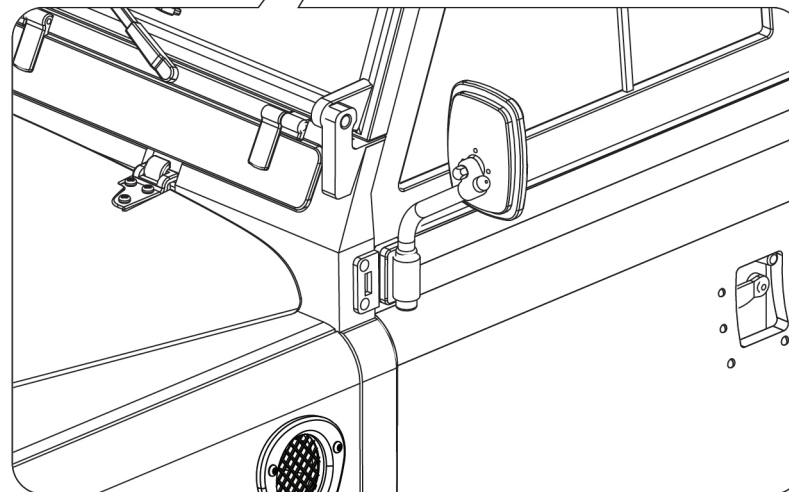
Continue to the next page if hardtop. Skip to page 27 if convertible.



PICK YOUR SIDE MIRROR LOCATION



FENDER MIRRORS

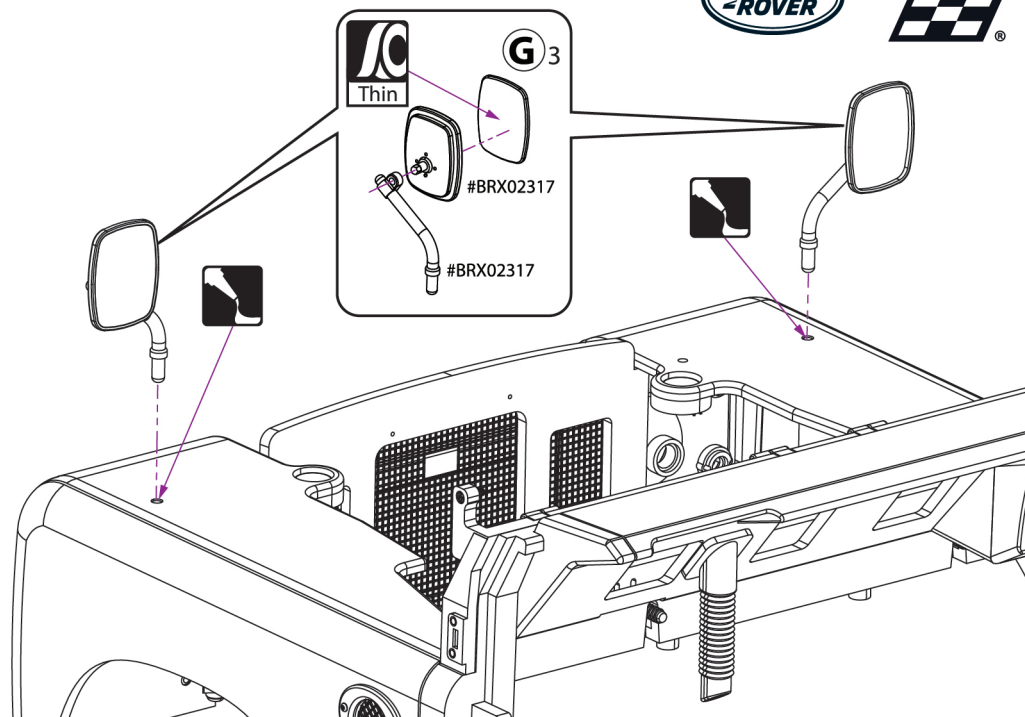


DOOR MIRRORS

FENDER MIRRORS

**14**

Drill two 2.4mm holes into the front main body from underneath as indicated. Use the provided double-sided tape (thin) to stick the mirror plate to the rubber mirror head and push the head into the mirror arm. Push the mirror arm into the holes that are drilled. Then glue from the bottom into position. Repeat on the other side.

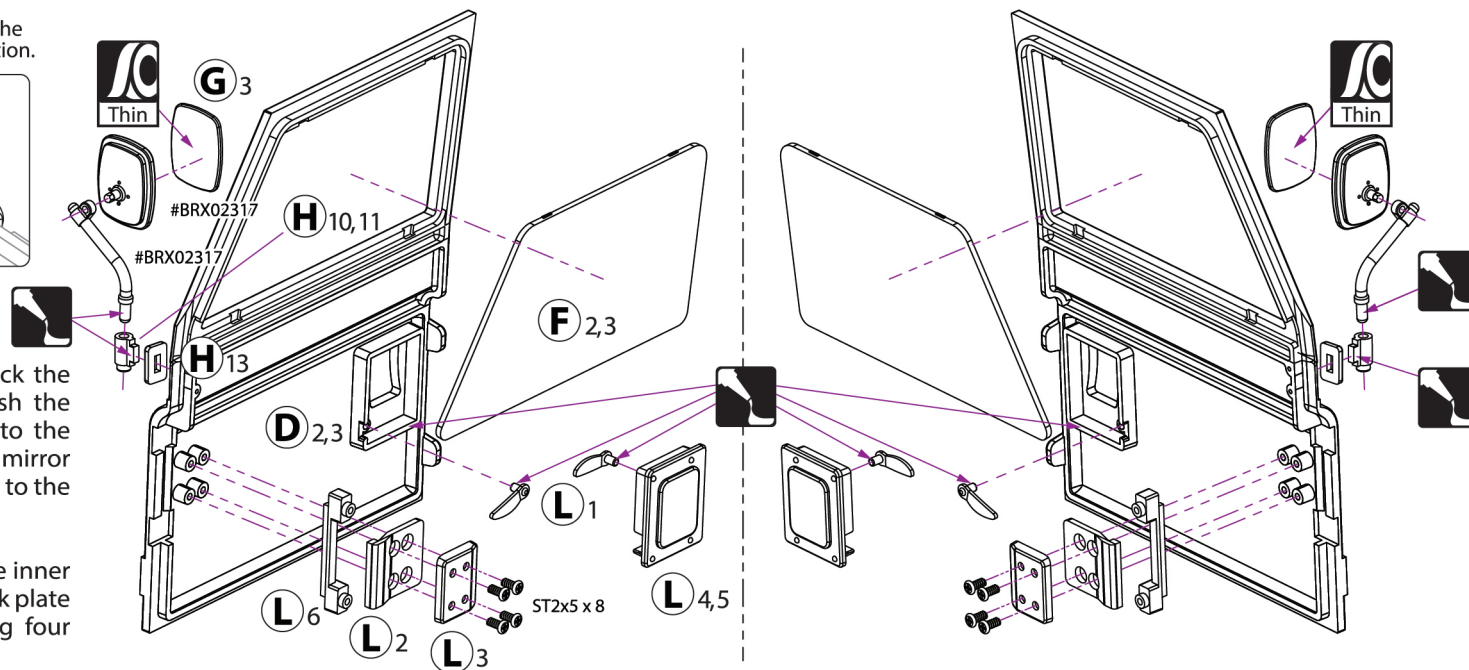


DOOR MIRRORS

**14**

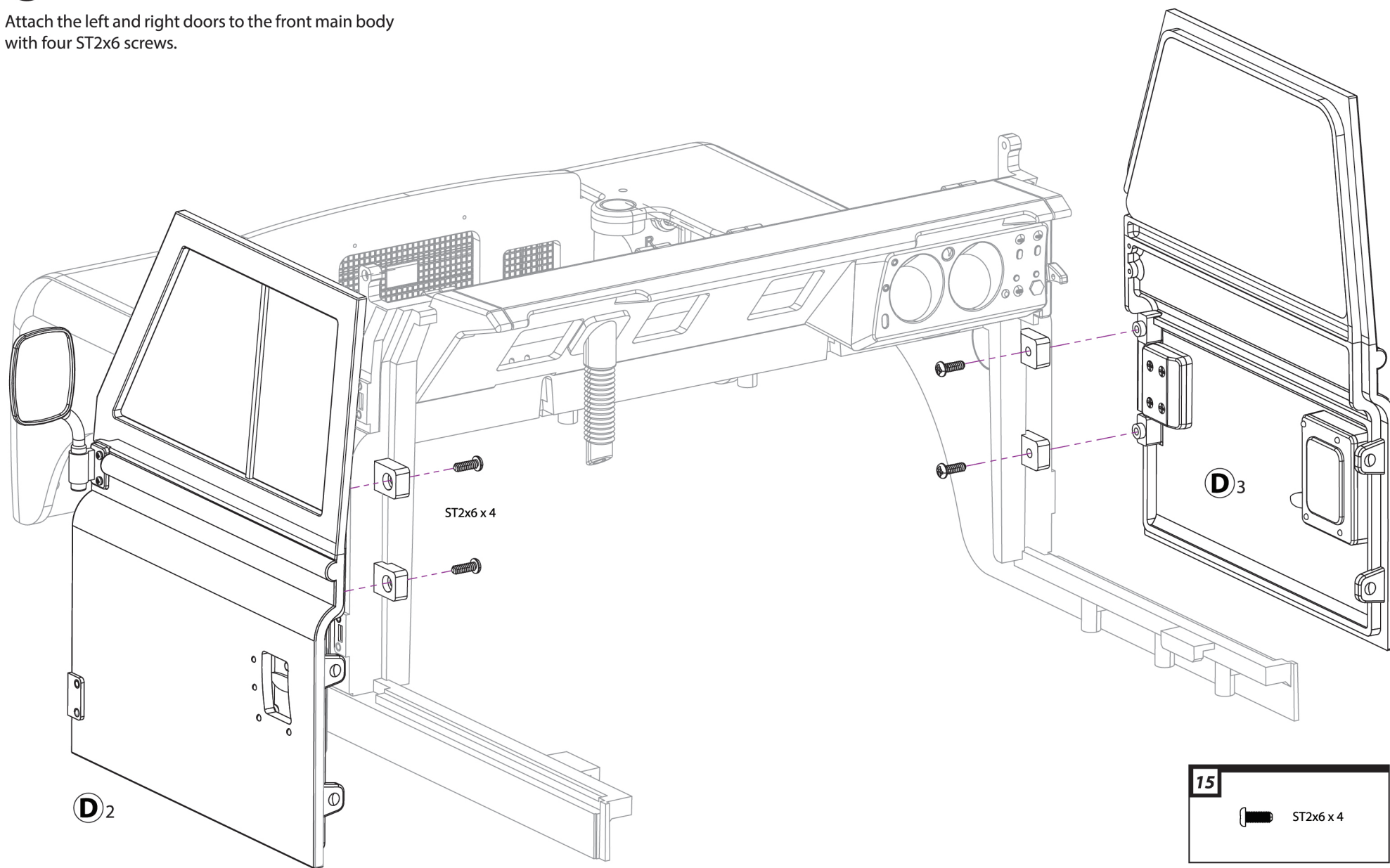
Use the provided double-sided tape (thin) to stick the mirror plate to the rubber mirror head and push the head into the mirror arm. Glue the mirror arm to the mirror arm holder. Next, glue the assembly to the mirror retaining plate, and then glue the whole assembly to the door. Repeat for the other side.

Clip the clear side window into position. Insert the inner and outer door handles into the door and door lock plate and glue into position. Attach door hinge using four ST2x5 screws. Repeat on the other side.



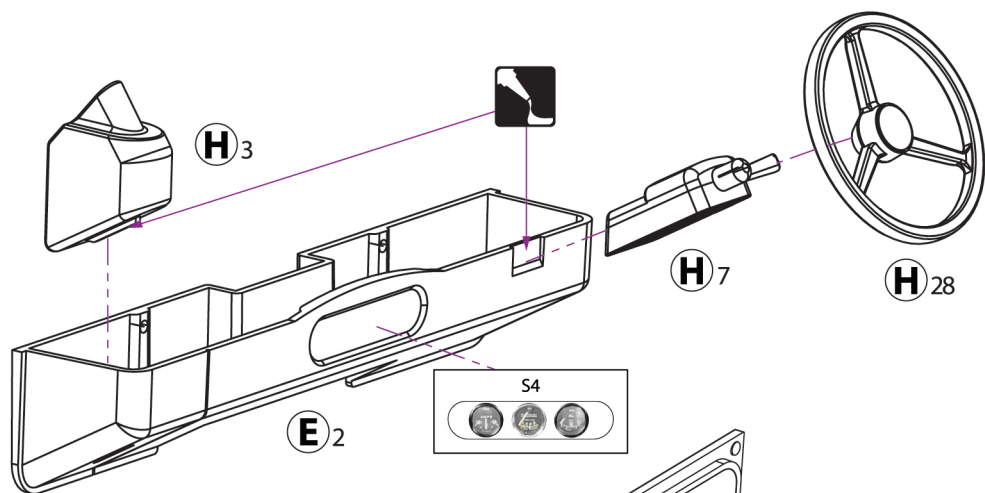
15

Attach the left and right doors to the front main body with four ST2x6 screws.



HARD TOP

HARD TOP

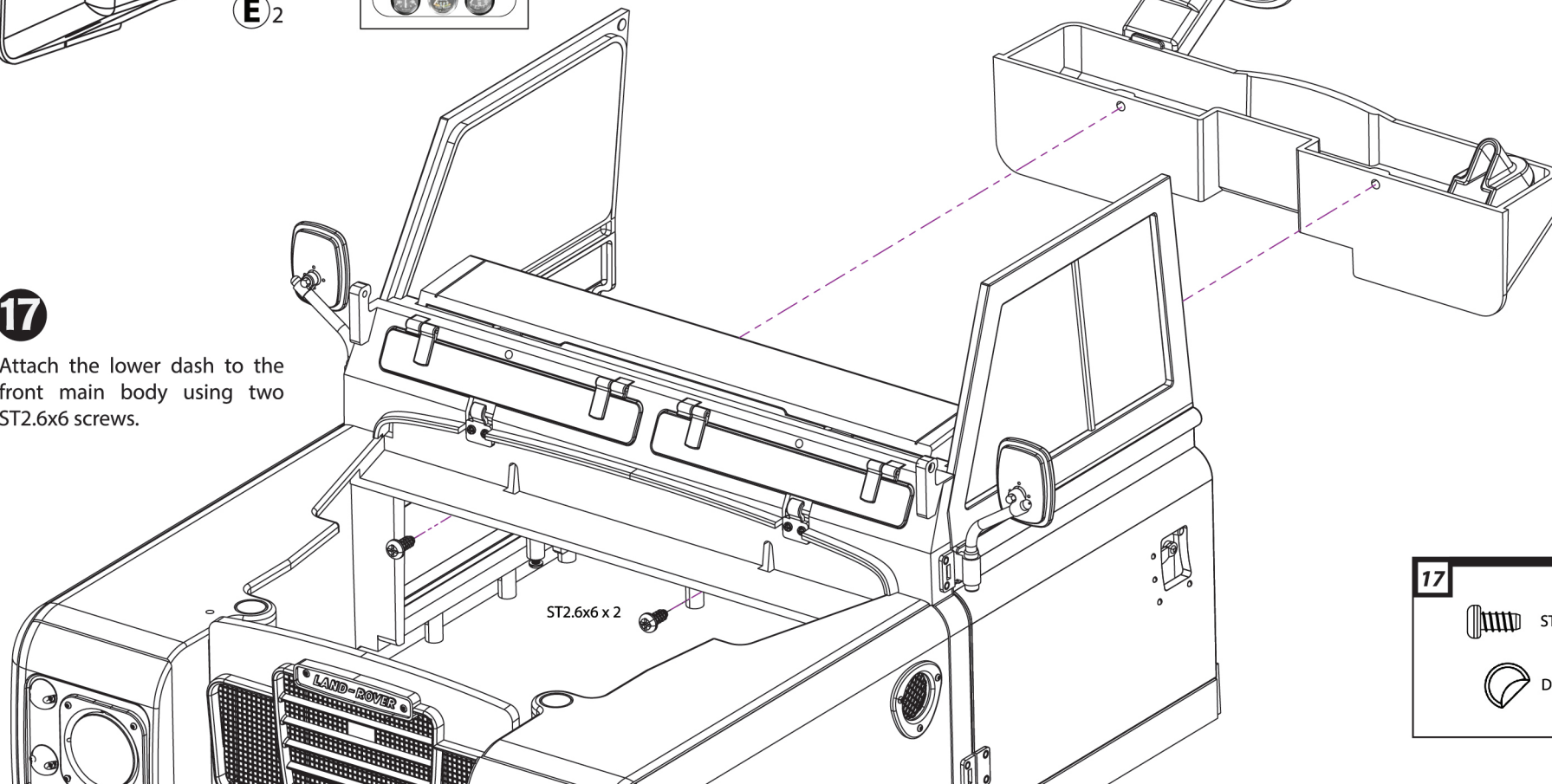


16

Glue the wiper cable cover and the steering column to the lower dash. Push the steering wheel onto the steering column and attach decal sticker.

17

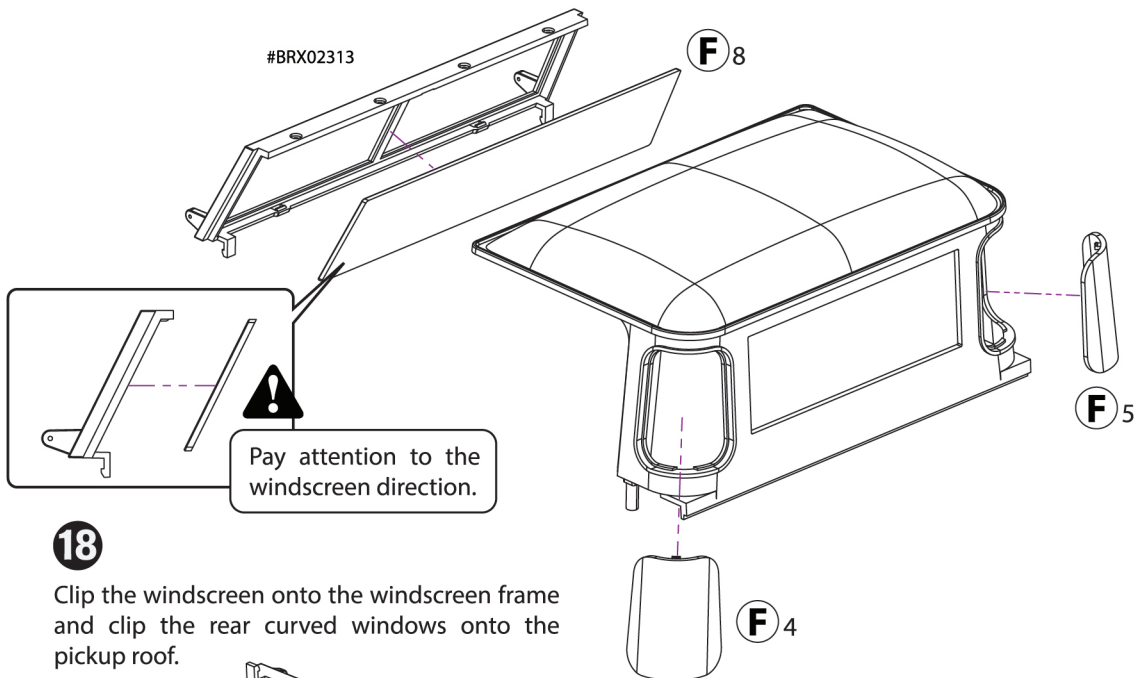
Attach the lower dash to the front main body using two ST2.6x6 screws.



17		ST2.6x6 x 2
		Decal Sticker

#BRX02313

F 8

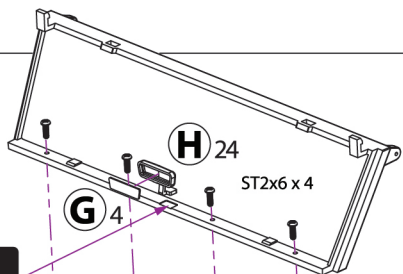


F 5

18

Clip the windscreen onto the windscreen frame and clip the rear curved windows onto the pickup roof.

F 4



H 24

ST2x6 x 4

G 4

19

ST2x6 x 4

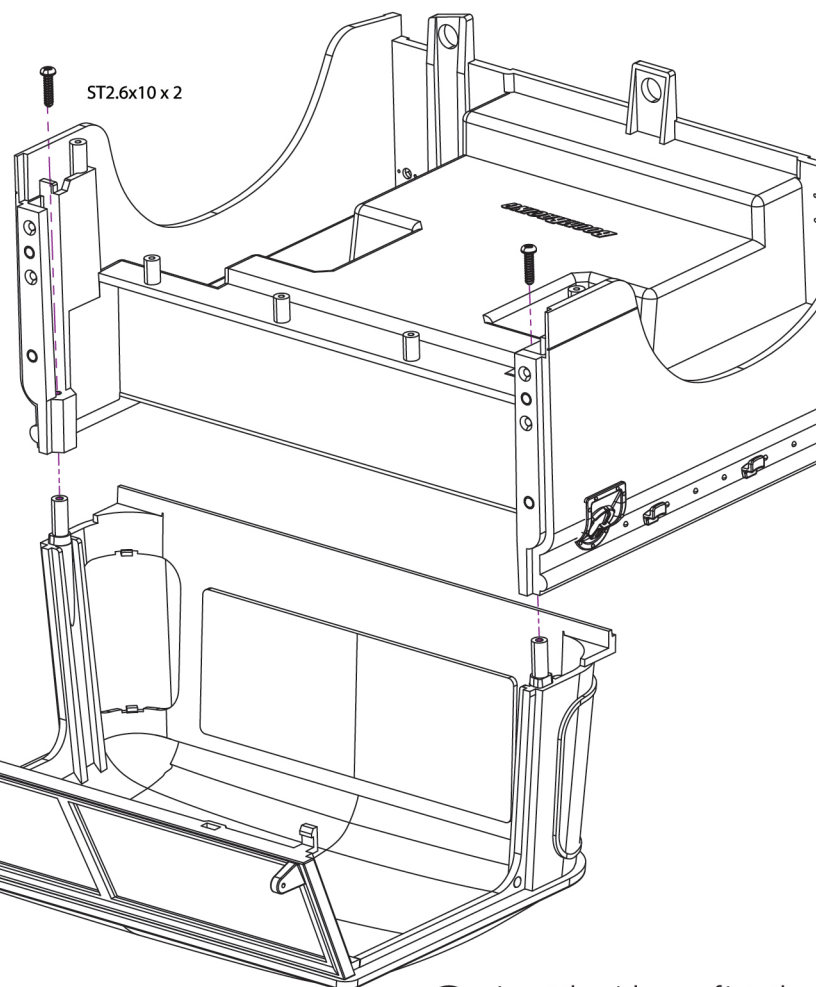
19

Glue the rear window onto the pickup roof and the interior mirror onto the windscreen frame. Attach the frame to the pickup roof using four ST2x6 screws.

F 1

20

ST2.6x10 x 2



ST2.6x10 x 2

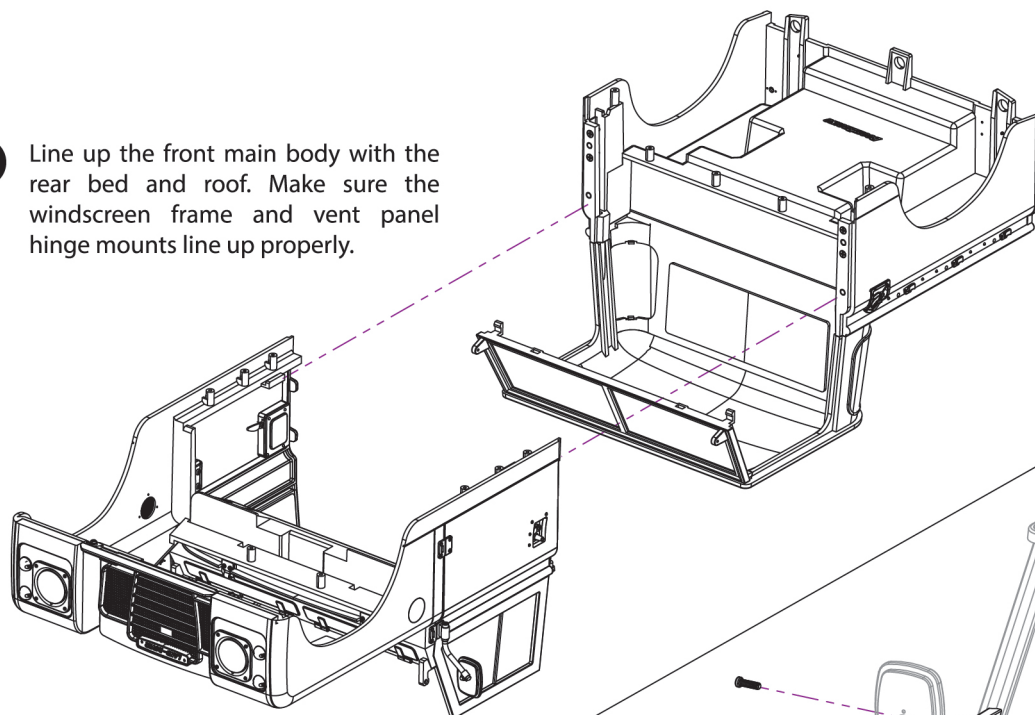
20

Insert the pickup roof into the rear bed and tighten it down with two ST2.6x10 screws.

- 21** Line up the front main body with the rear bed and roof. Make sure the windscreen frame and vent panel hinge mounts line up properly.

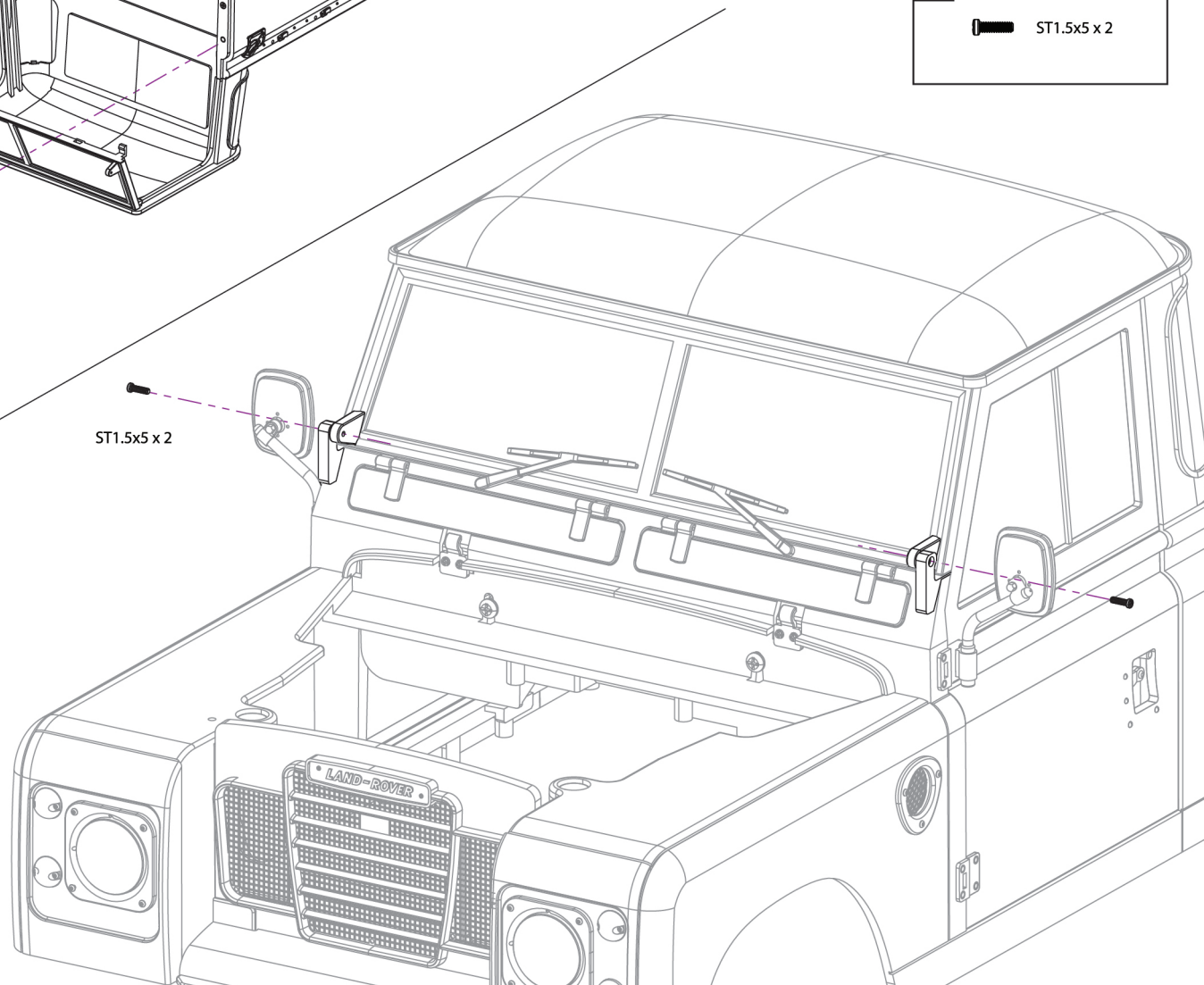
22

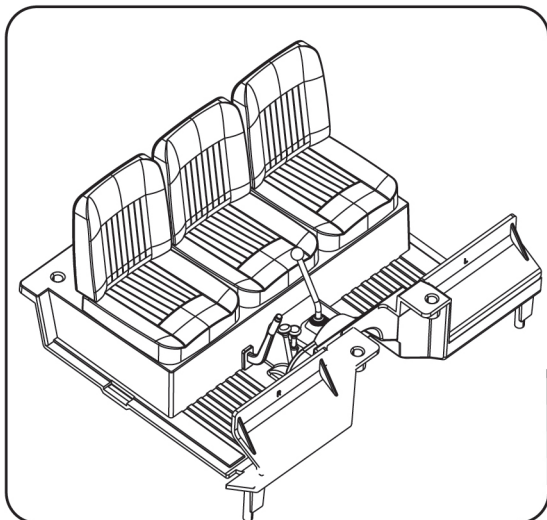
ST1.5x5 x 2



ST1.5x5 x 2

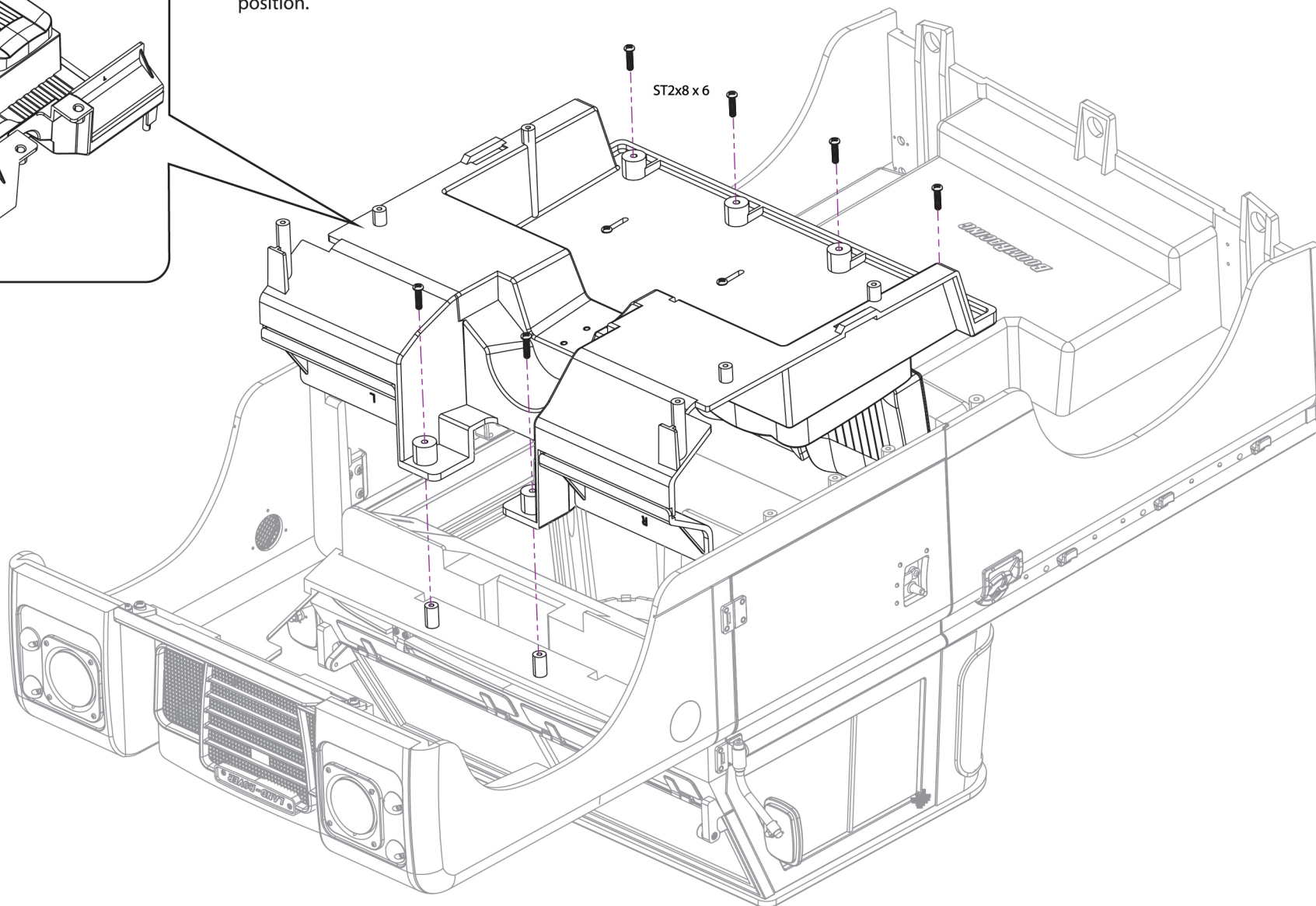
- 22** Attach the windscreen frame to the vent panel hinge mounts with two ST1.5x5 screws.






23

Carefully flip the main body and bed upside down.
Use six ST2x8 screws to lock the floor panel into position.



23

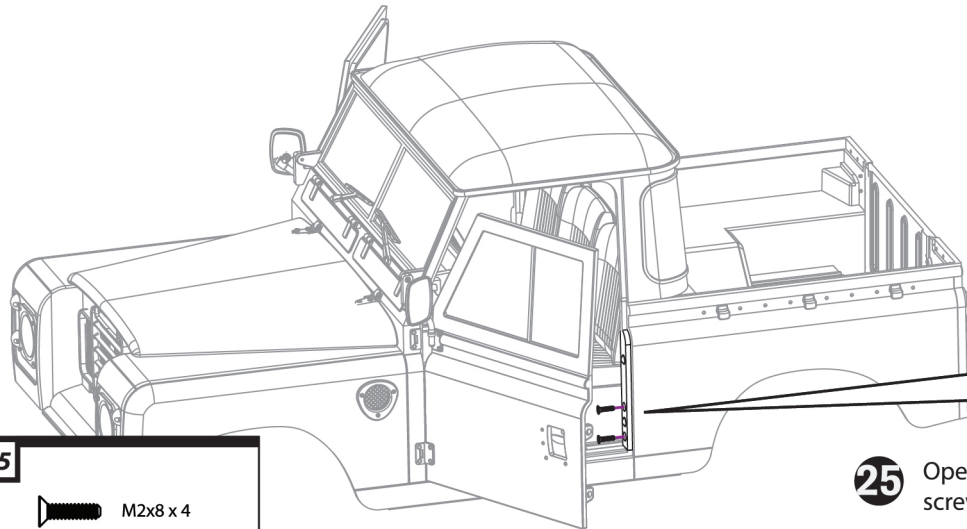
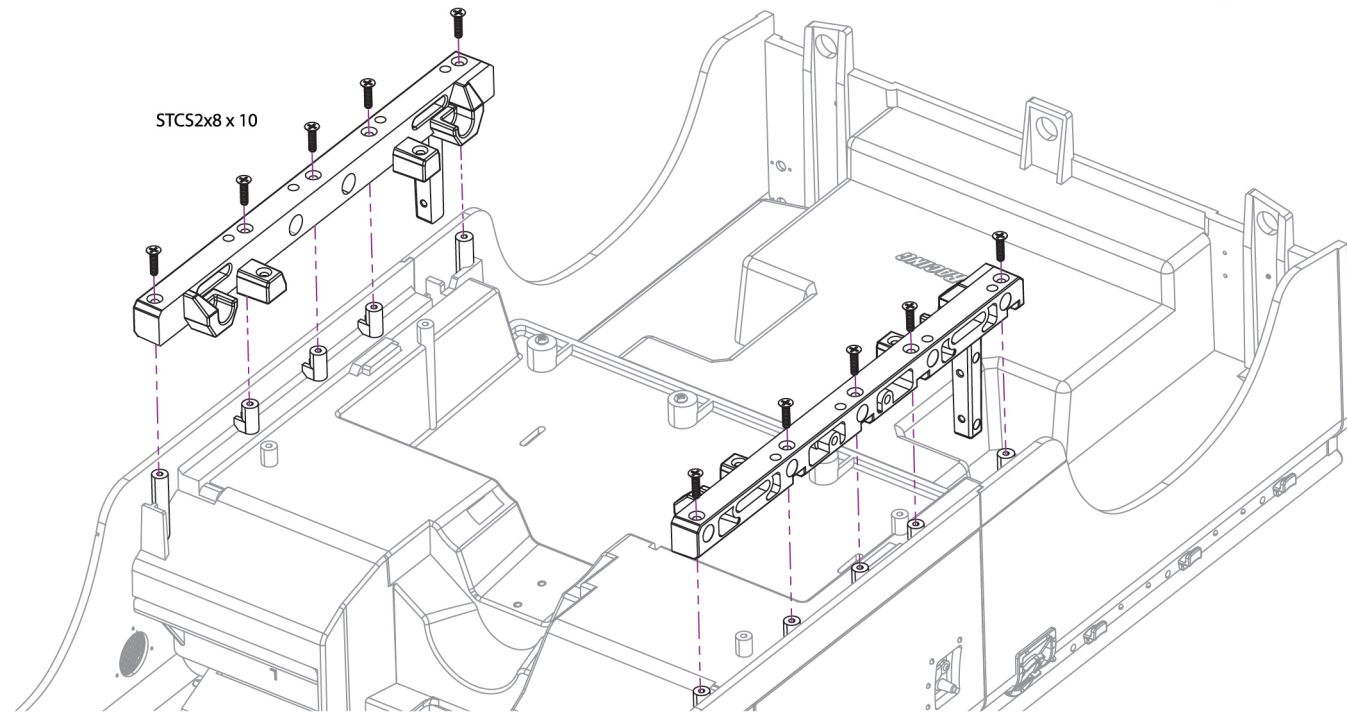
 ST2x8 x 6

24

STCS2x8 x 10

24

Attach the brace to the body using ten STCS2x8 screws to make sure everything is locked into position.

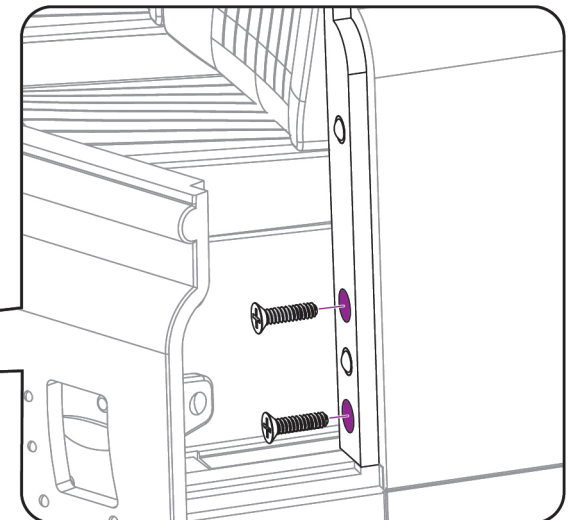


25

M2x8 x 4

25

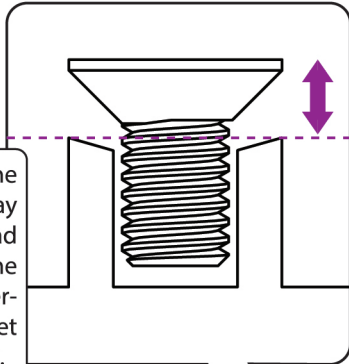
Open the doors and fasten two M2x8 screws on each side into the body brace.



Use the two STCS3x6 screws to adjust the height of the bonnet and how tight they latch to the magnet.



Do not tighten the screws all the way down. The head must not pass the dotted line, otherwise the bonnet can be damaged.

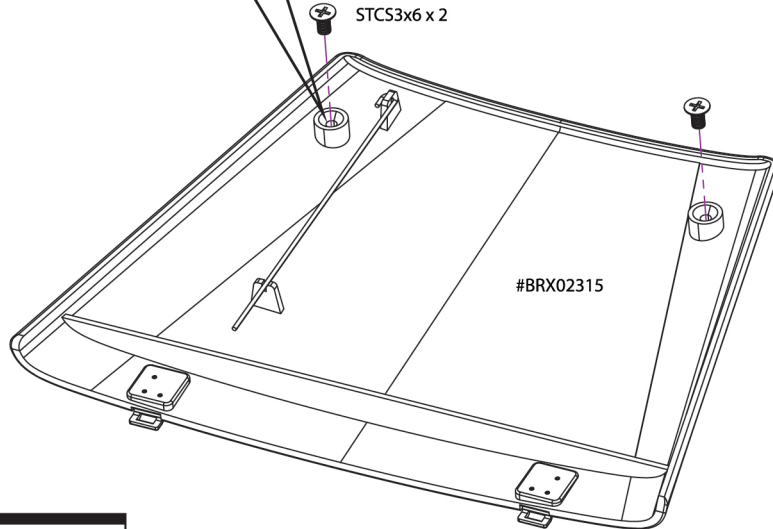


ST1.2x4 x 6



#BRX02315

STCS3x6 x 2



#BRX02315

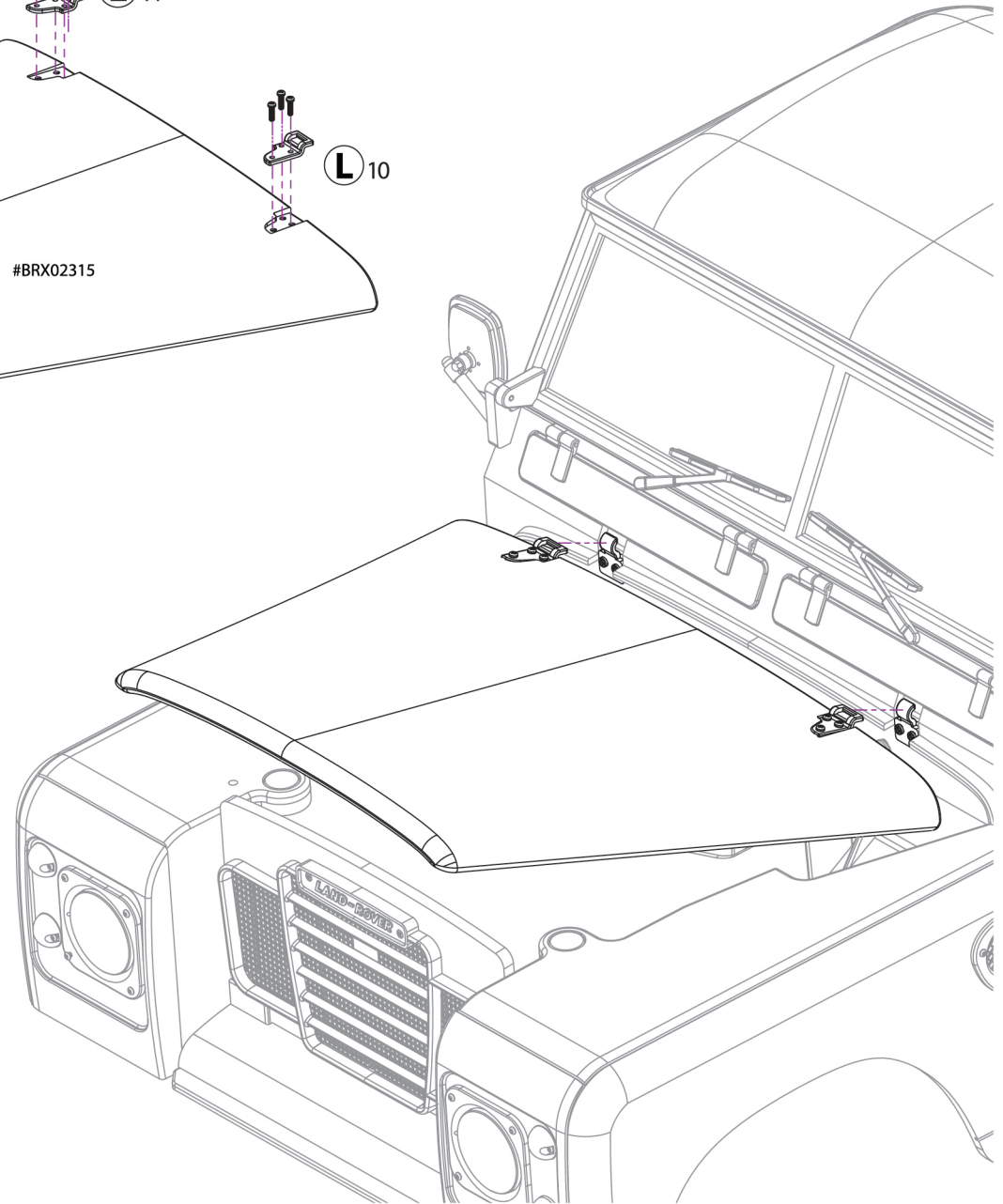
26

ST1.2x4 x 6

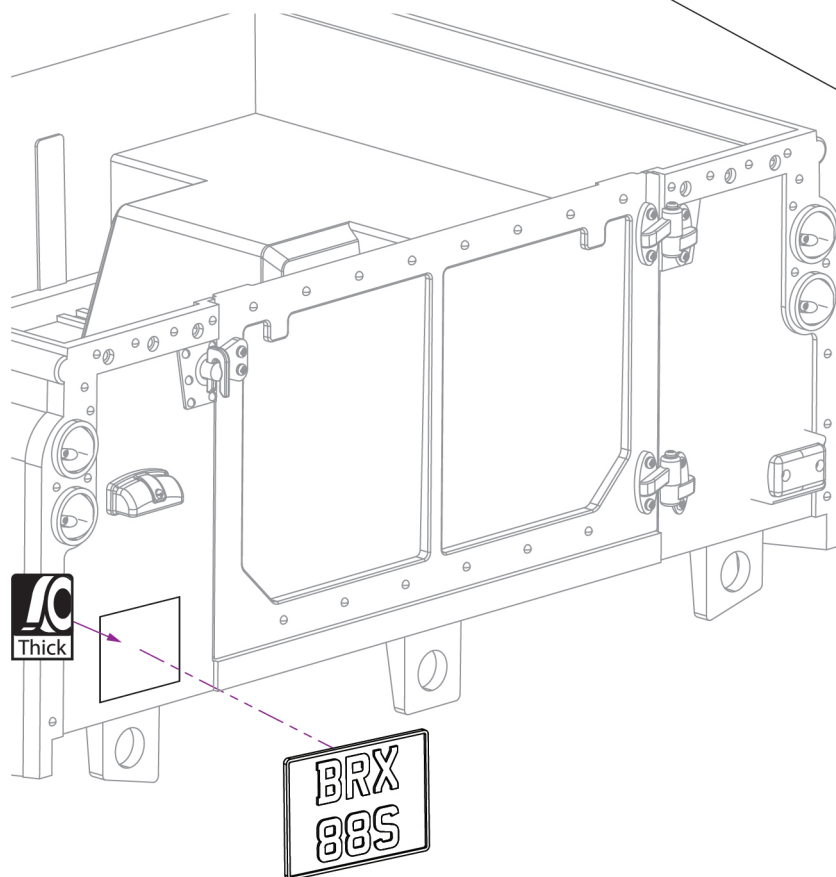
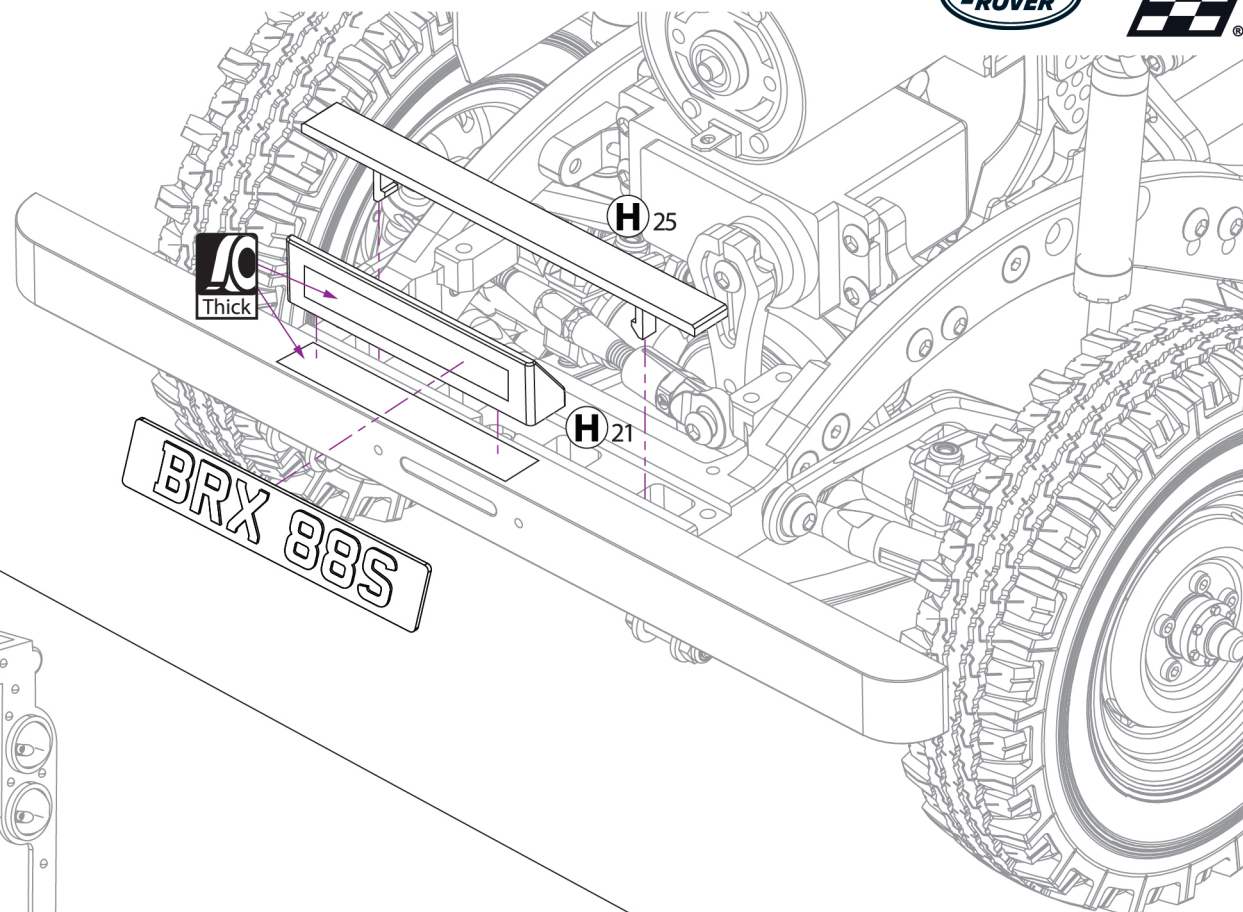
STCS3x6 x 2

26

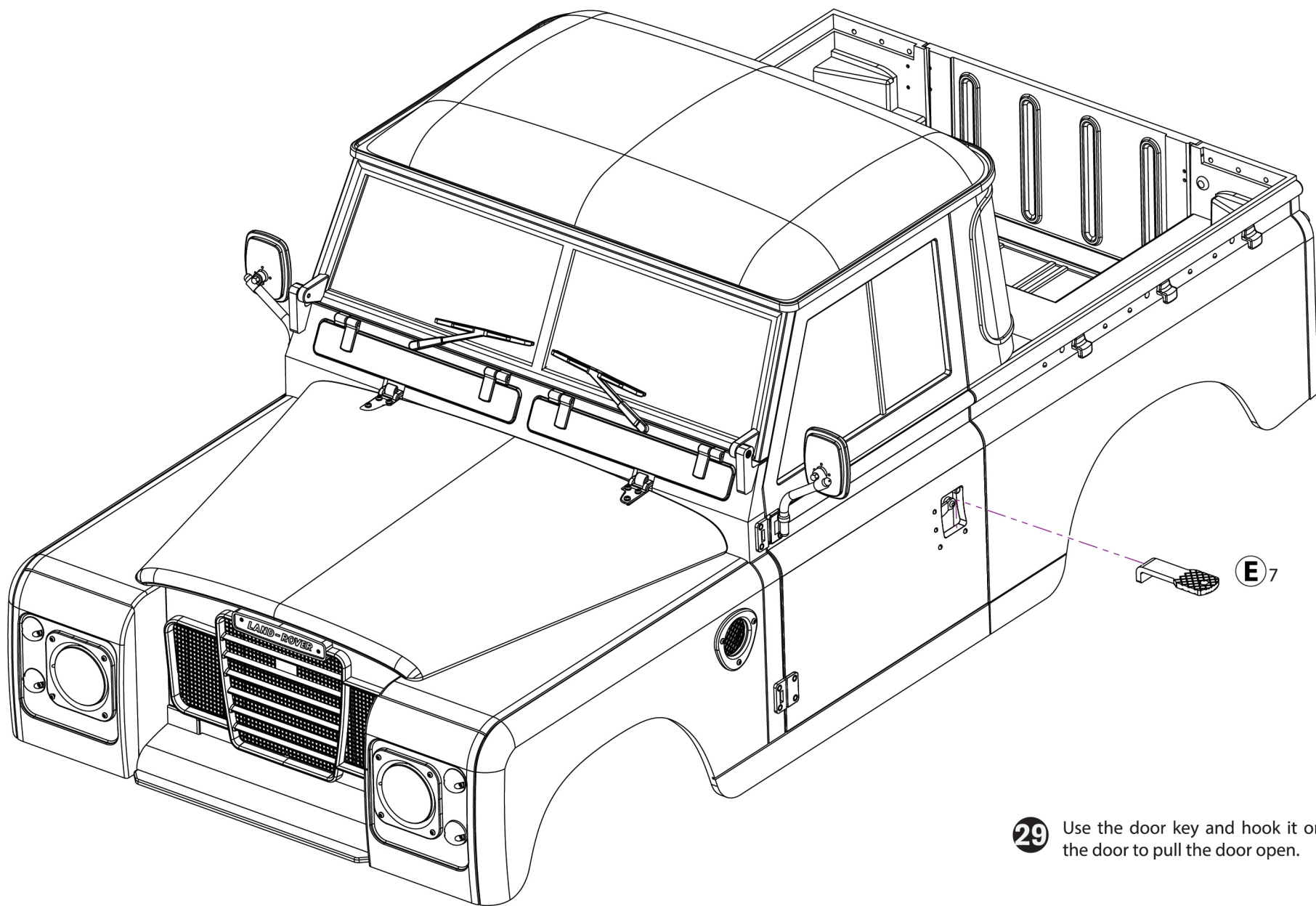
Attach the left and right bonnet hinge to the bonnet with six ST1.2x4 screws and two STCS3x6 screws into the bonnet.



- 27** Snap the blanking plate onto the front chassis crossmember. Use double-sided tape to attach the license plate to the license plate mount, and the mount to the bumper.



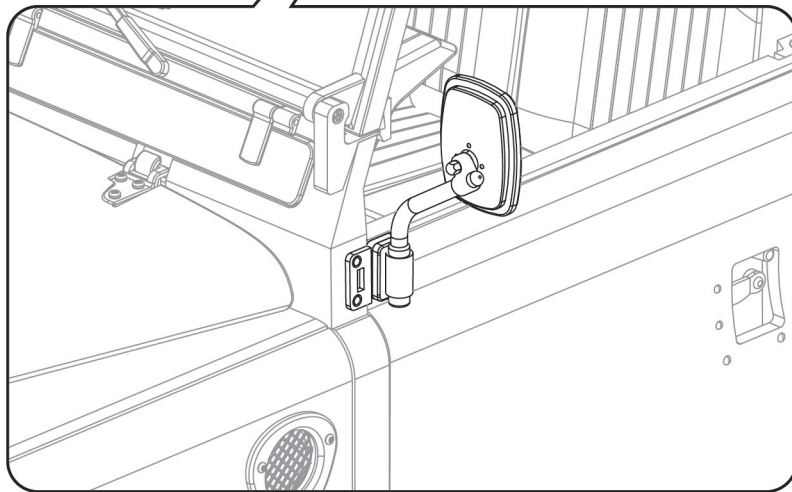
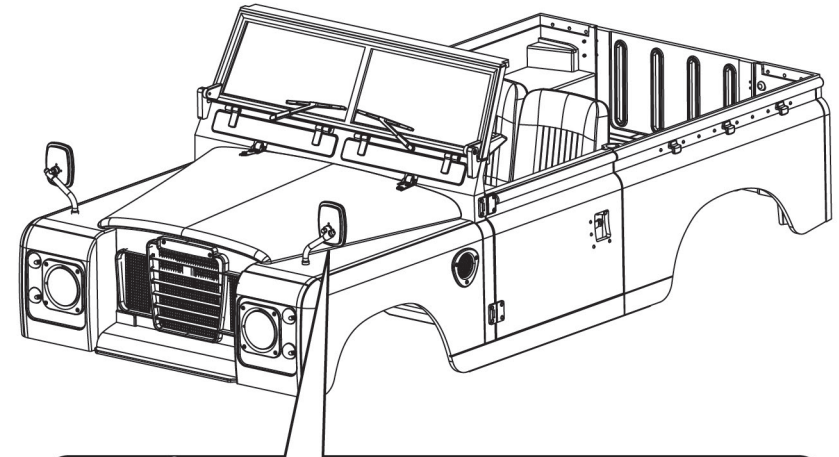
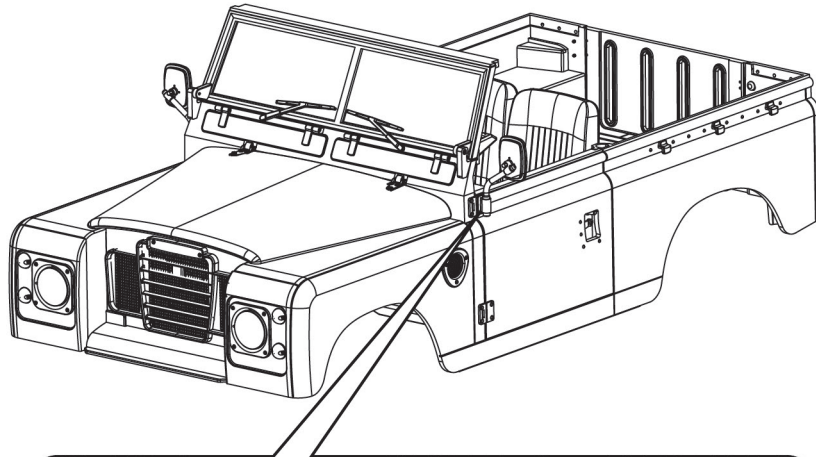
- 28** Use double-sided tape to attach the rear license plate onto the body below the license plate light.



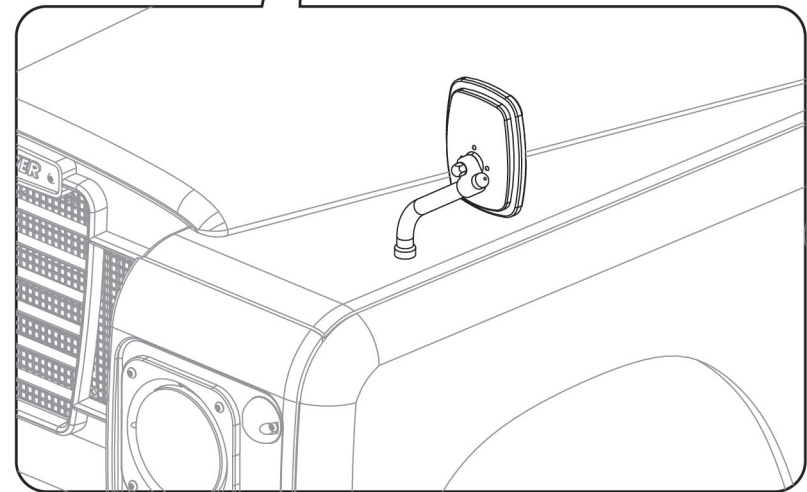
29 Use the door key and hook it onto the door to pull the door open.



PICK YOUR SIDE MIRROR LOCATION



FENDER MIRRORS

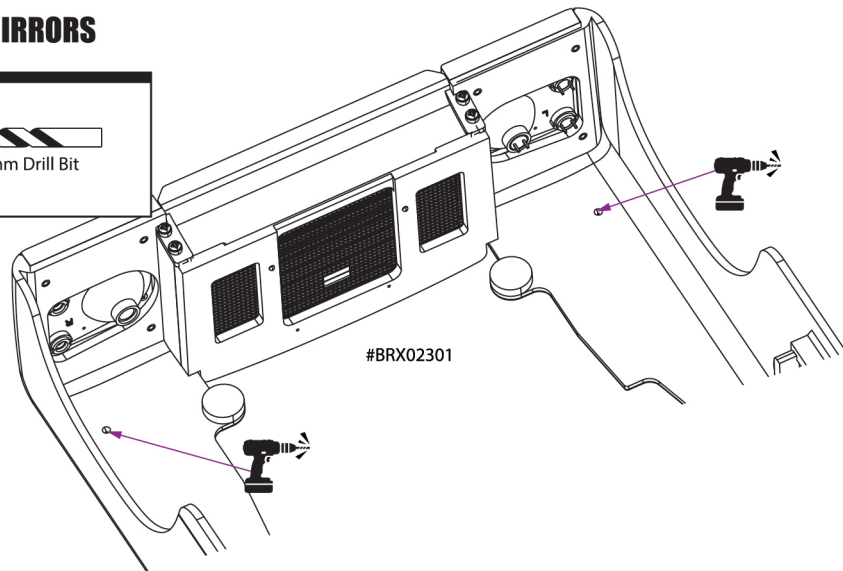


DOOR MIRRORS

CONVERTIBLE

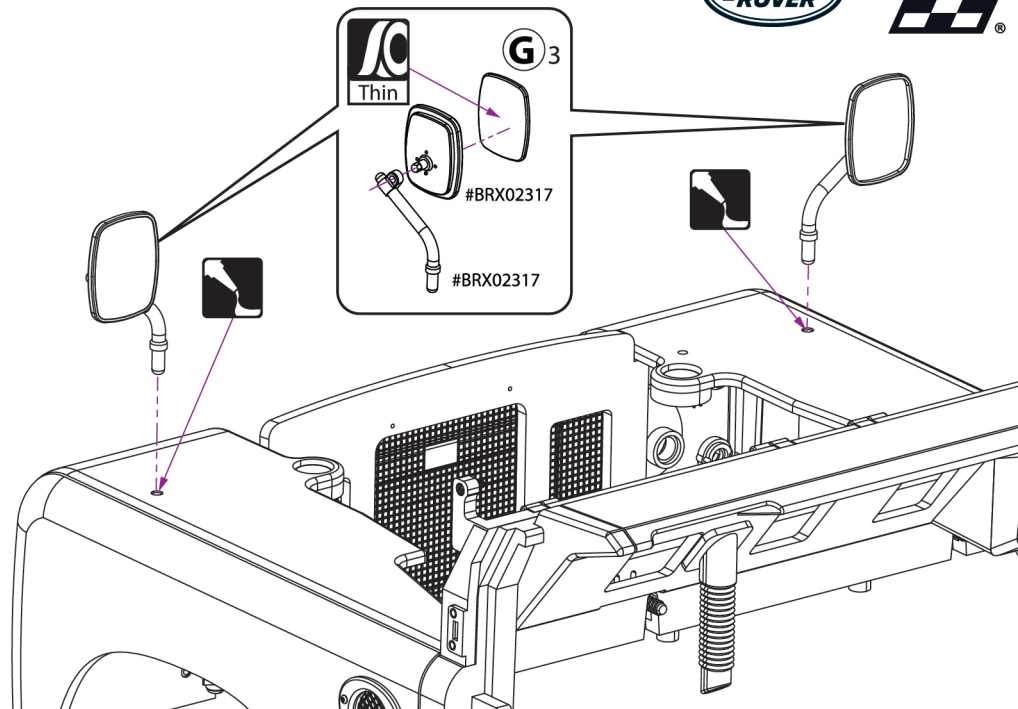
CONVERTIBLE

FENDER MIRRORS



14

Drill two 2.4mm holes into the front main body from underneath as indicated. Use the provided double-sided tape (thin) to stick the mirror plate to the rubber mirror head and push the head into the mirror arm. Push the mirror arm into the holes that are drilled. Then glue from the bottom into position. Repeat on the other side.



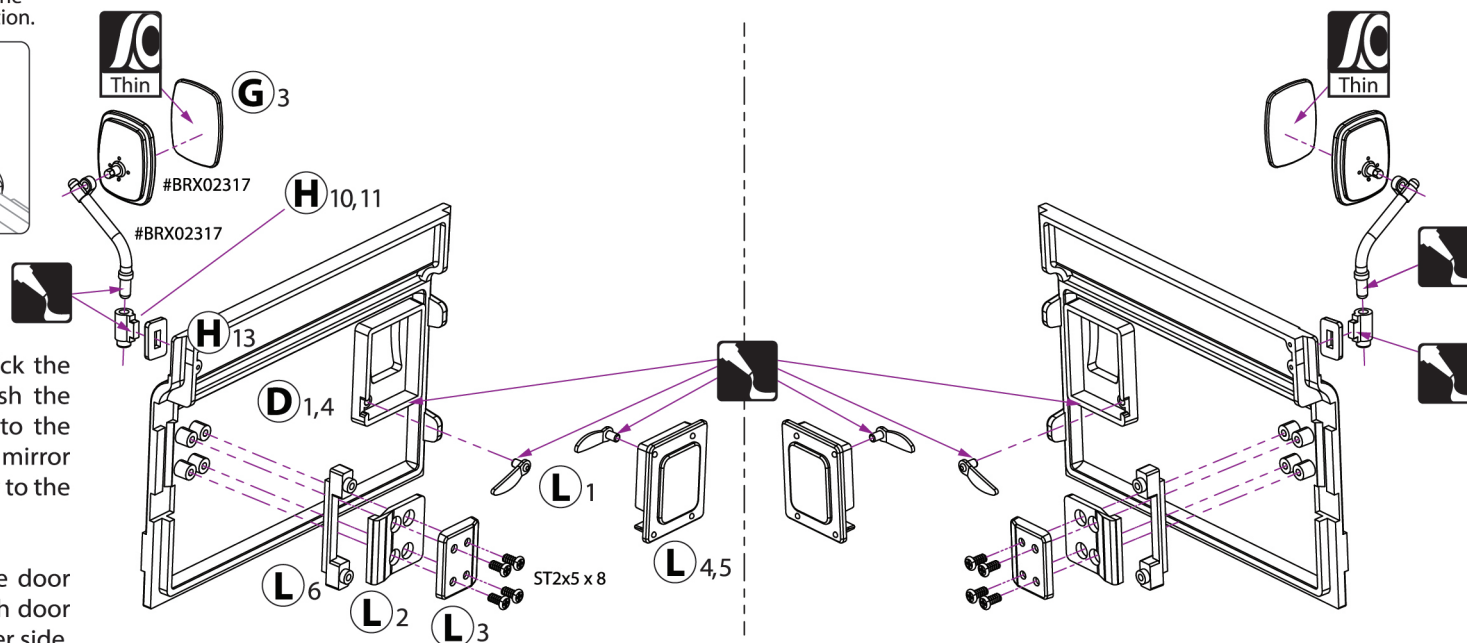
DOOR MIRRORS



14

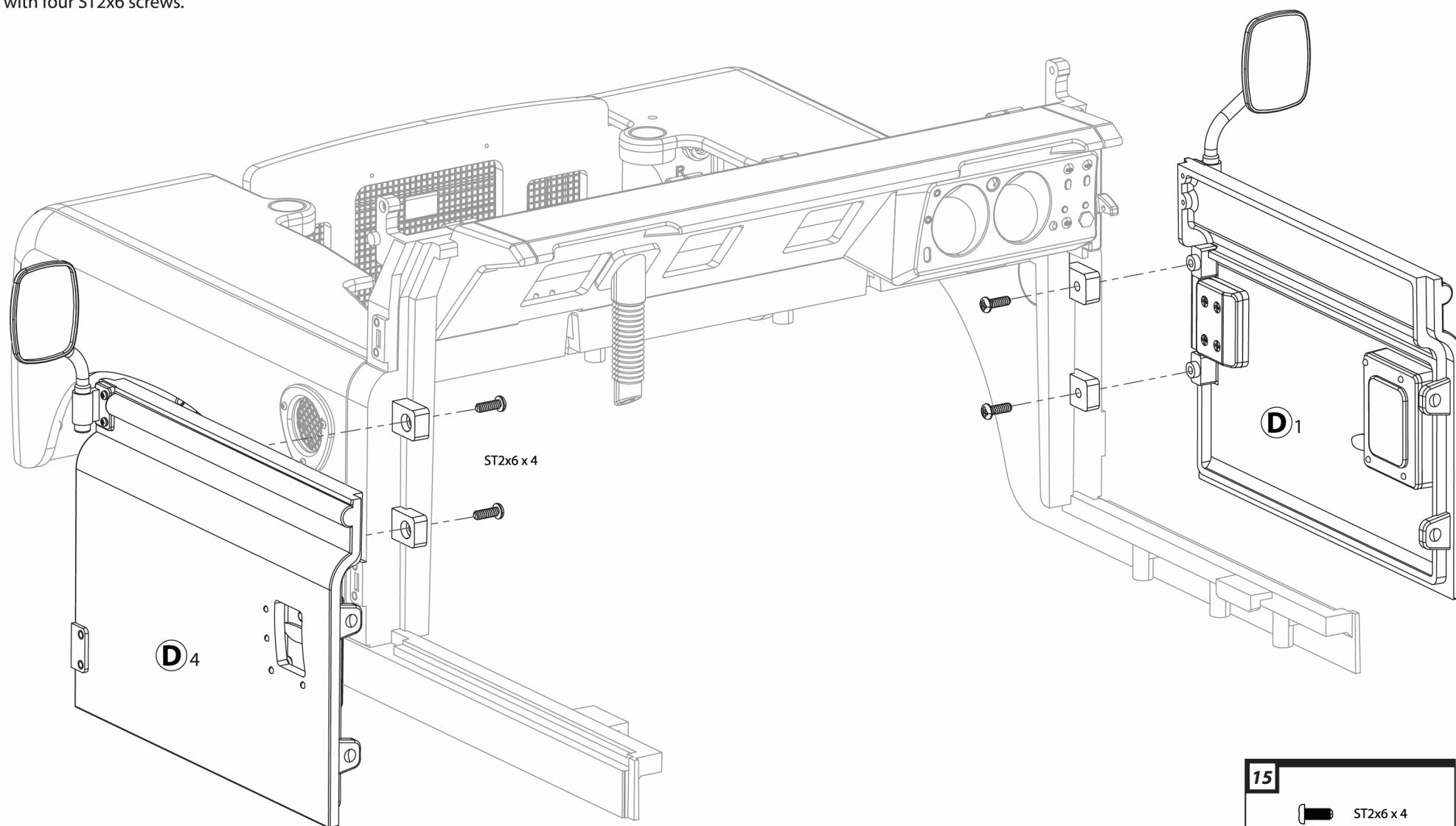
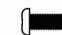
Use the provided double-sided tape (thin) to stick the mirror plate to the rubber mirror head and push the head into the mirror arm. Glue the mirror arm to the mirror arm holder. Next, glue the assembly to the mirror retaining plate, and then glue the whole assembly to the door. Repeat for the other side.

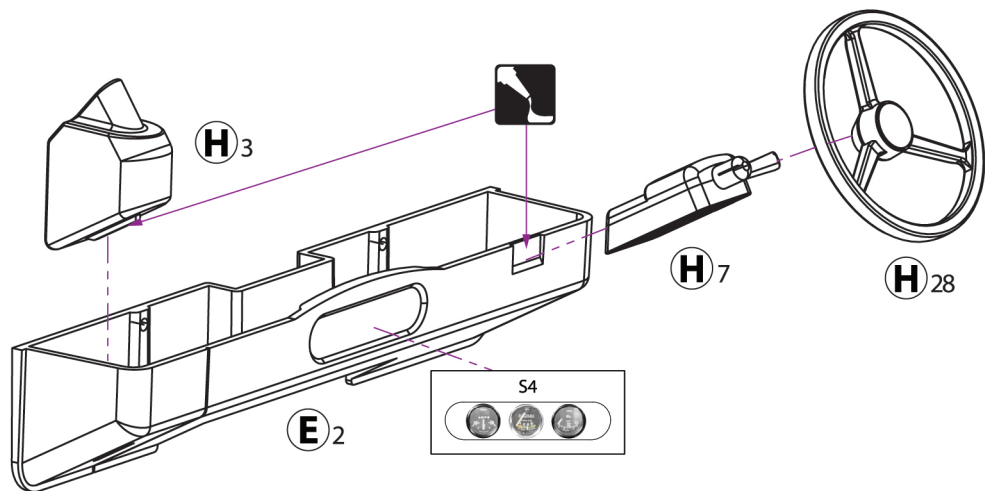
Insert the inner and outer door handles into the door and door lock plate and glue into position. Attach door hinge using four ST2x5 screws. Repeat on the other side.



15

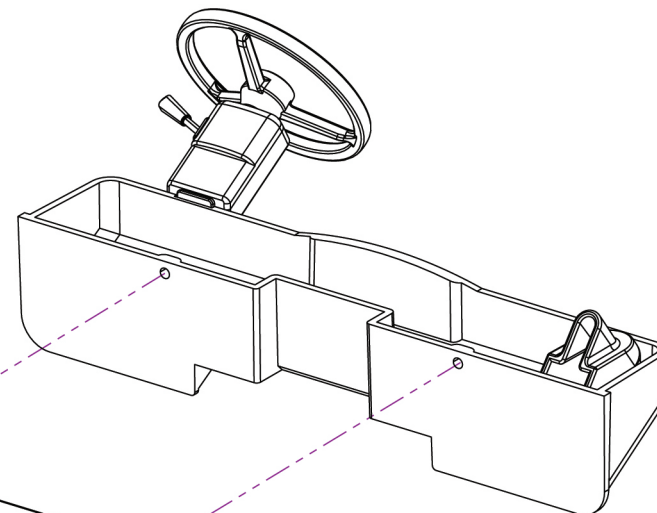
Attach the left and right doors to the front main body with four ST2x6 screws.

**15** ST2x6 x 4



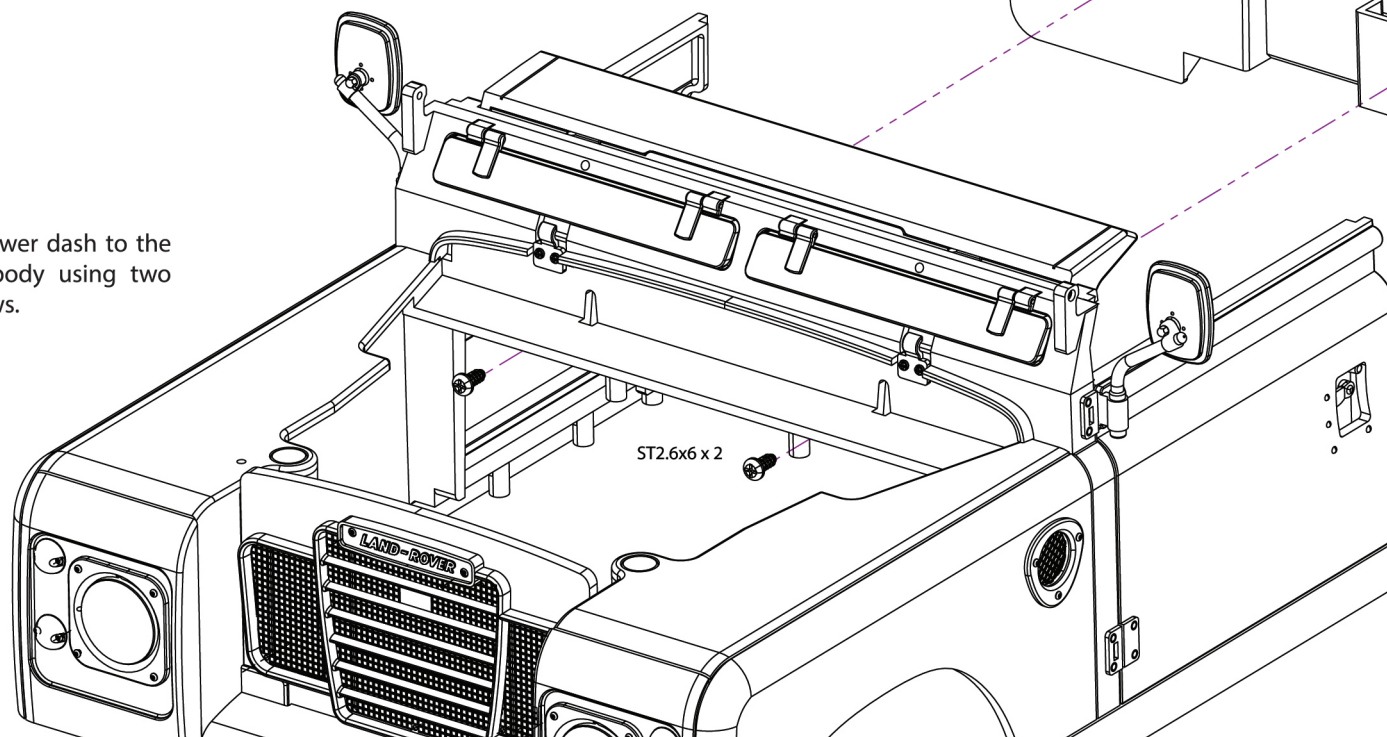
16

Glue the wiper cable cover and the steering column to the lower dash. Push the steering wheel onto the steering column and attach decal sticker.

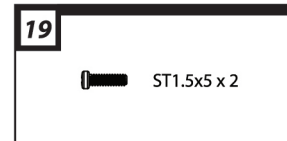
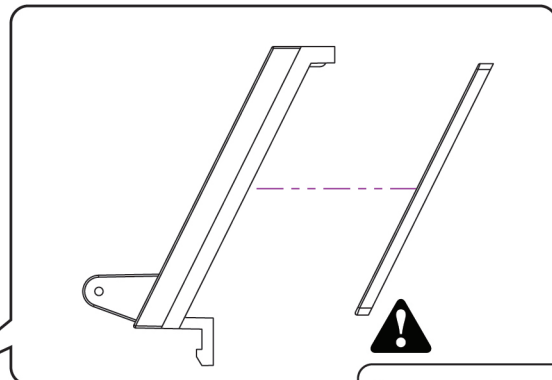
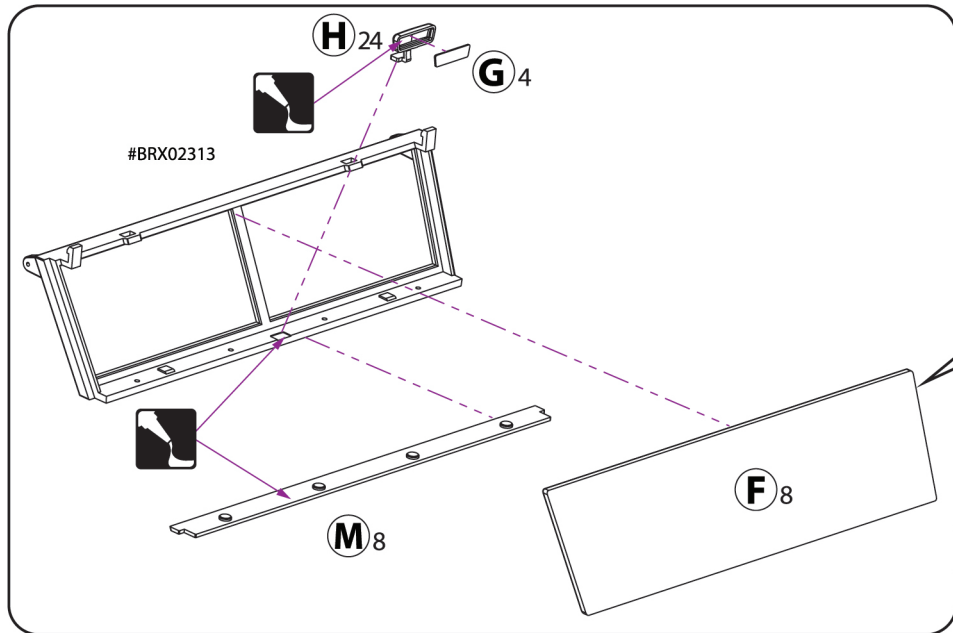


17

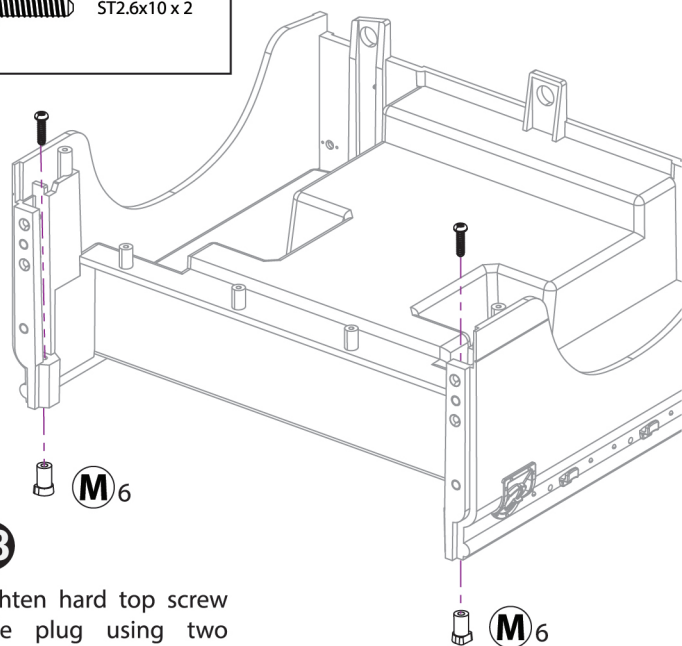
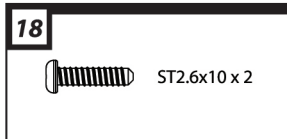
Attach the lower dash to the front main body using two ST2.6x6 screws.



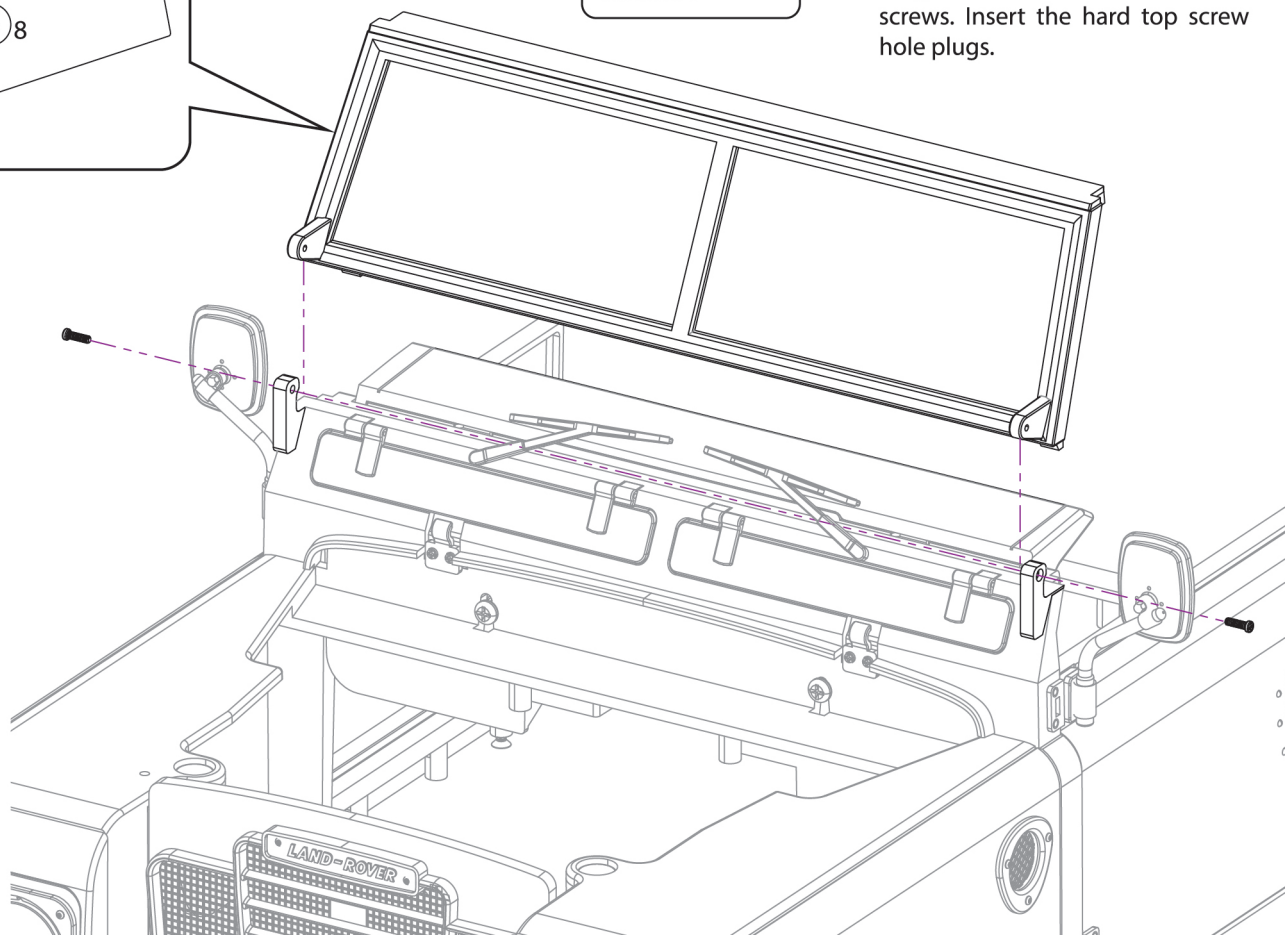
17		ST2.6x6 x 2
		Decal Sticker

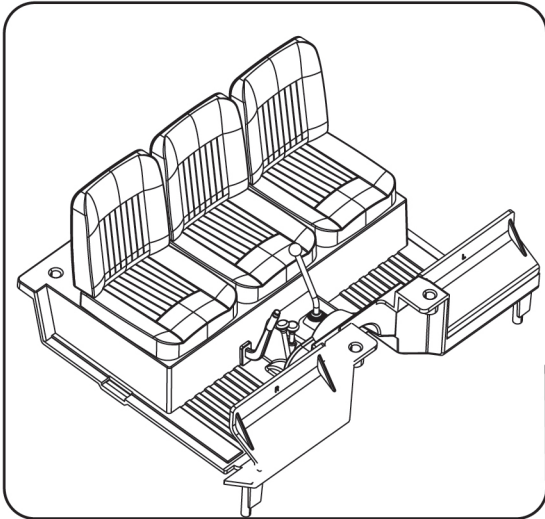


19 Clip the windscreen onto the windscreen frame and glue the interior mirror onto the windscreen frame. Attach the windscreen frame top with glue. Attach the windscreen frame to the vent panel hinge mounts with two ST1.5x5 screws. Insert the hard top screw hole plugs.



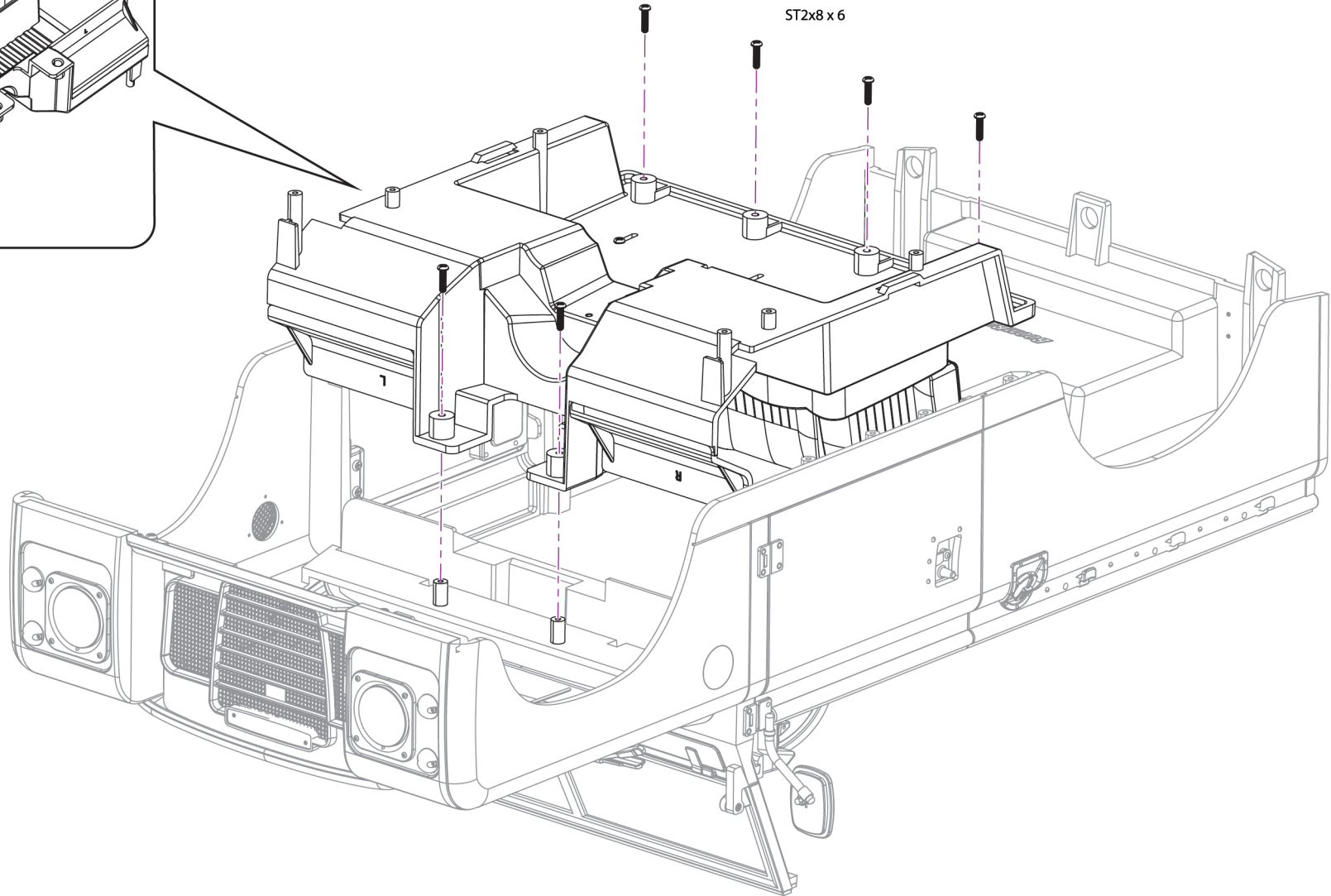
18 Tighten hard top screw hole plug using two ST2.6x10 screws.





20

Carefully flip the main body and bed upside down.
Use six ST2x8 screws to lock the floor panel into position.



20

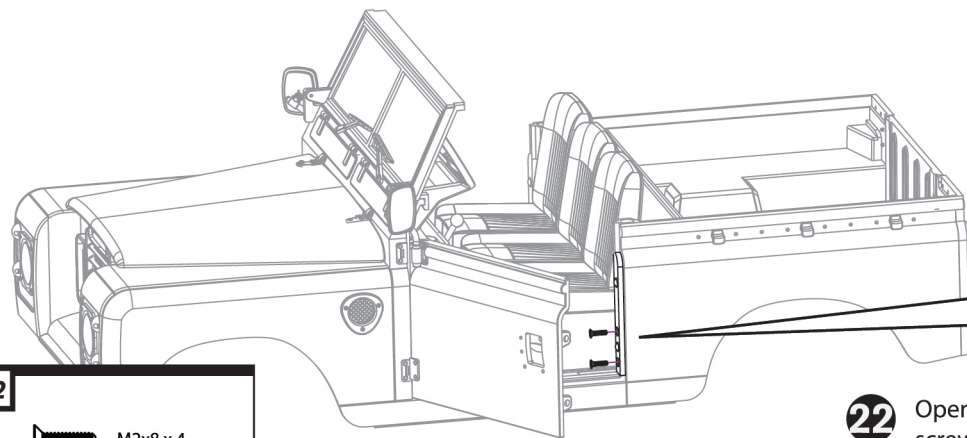
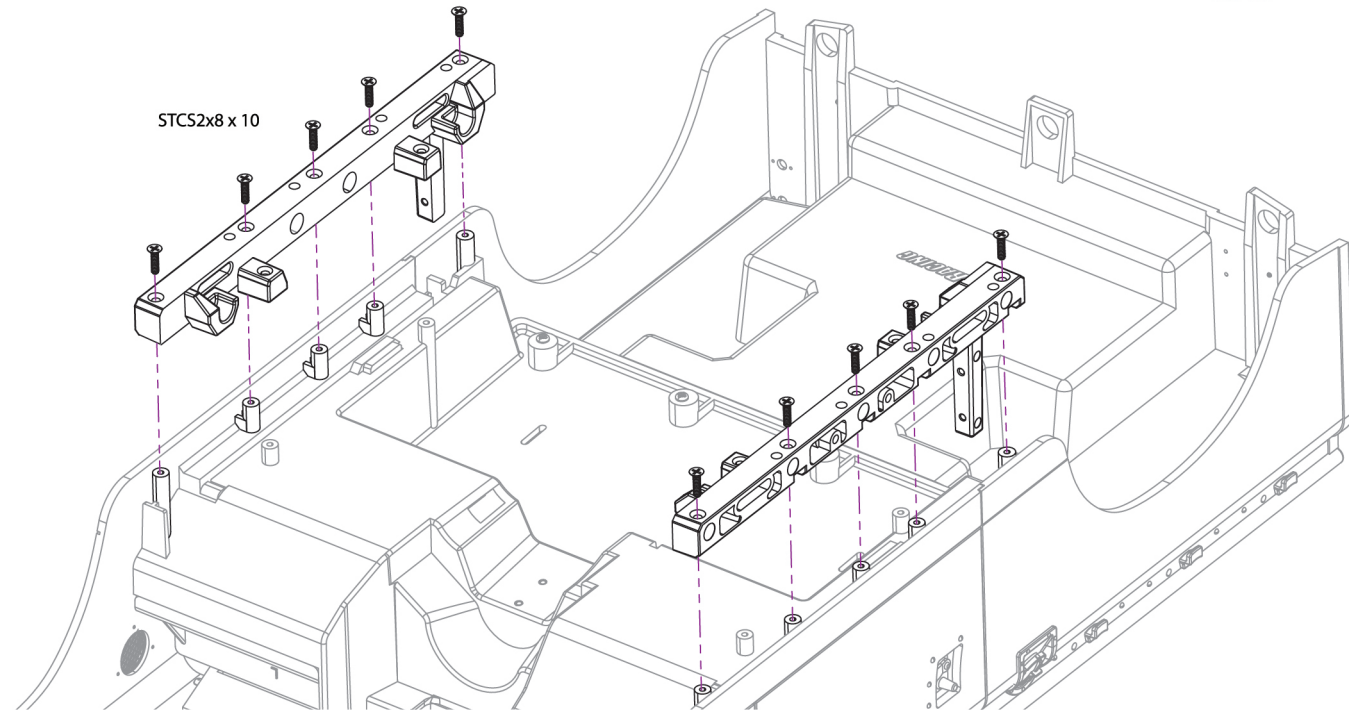
 ST2x8 x 6

21

STCS2x8 x 10

21

Attach the brace to the body using ten STCS2x8 screws to make sure everything is locked into position.

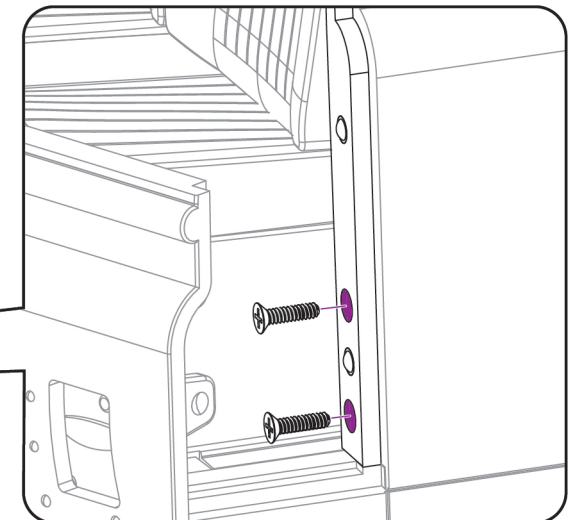


22

M2x8 x 4

22

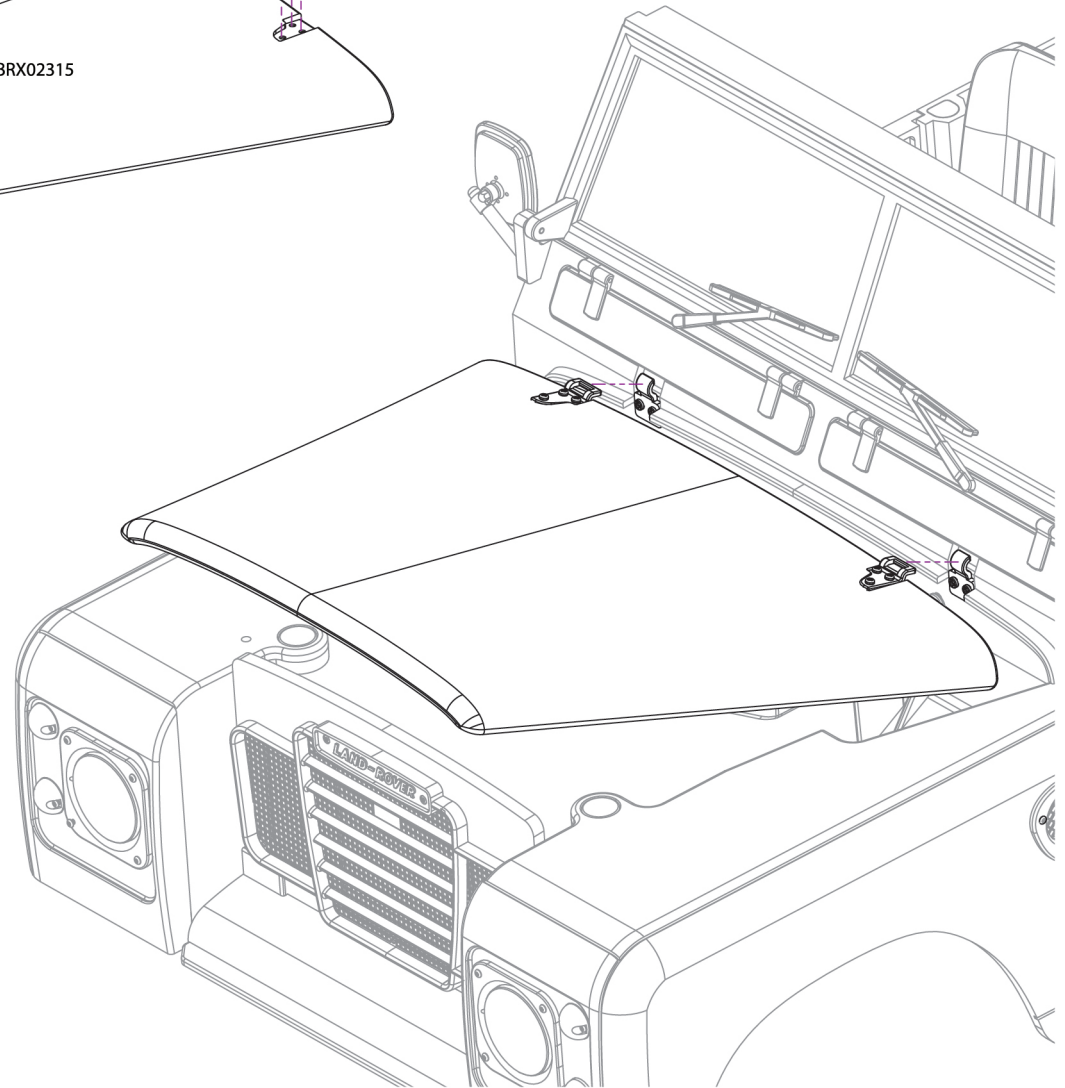
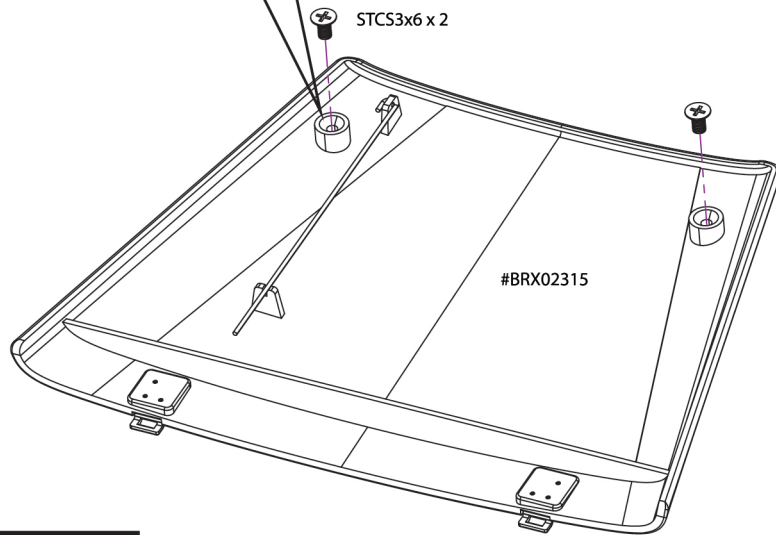
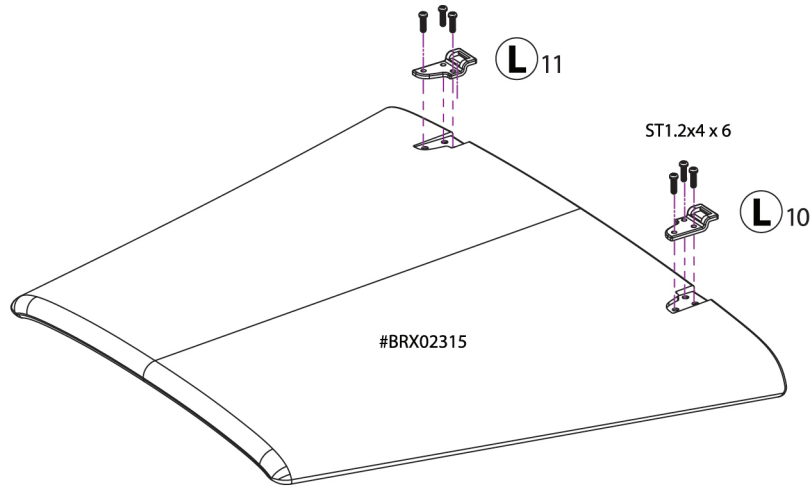
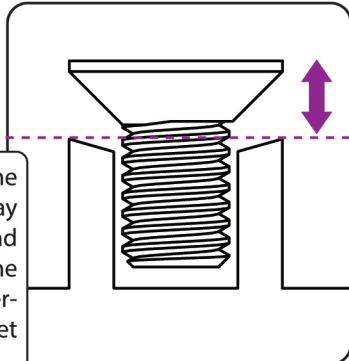
Open the doors and fasten two M2x8CS screws on each side into the body brace.



Use the two STCS3x6 screws to adjust the height of the bonnet and how tight they latch to the magnet.



Do not tighten the screws all the way down. The head must not pass the dotted line, otherwise the bonnet can be damaged.



23

 ST1.2x4 x 6

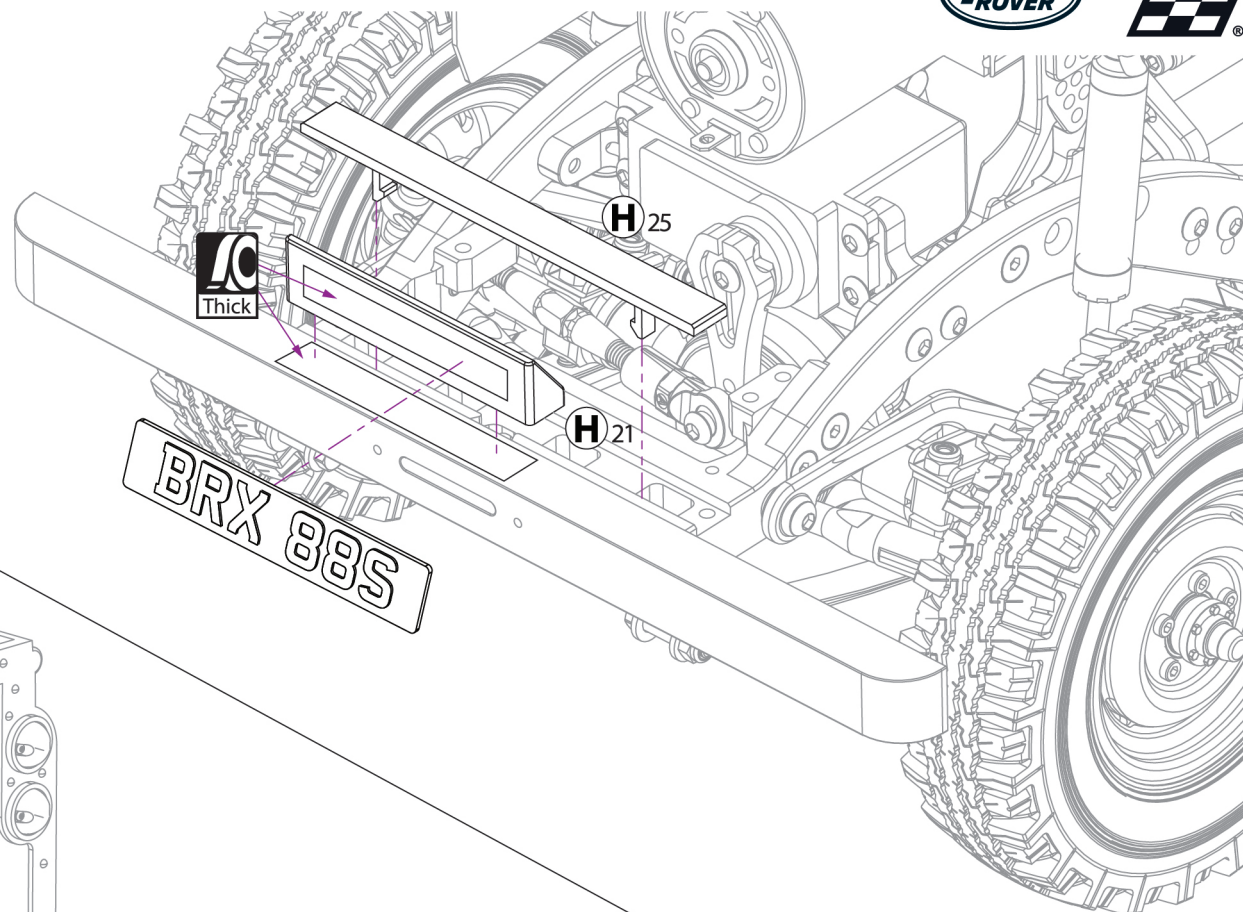
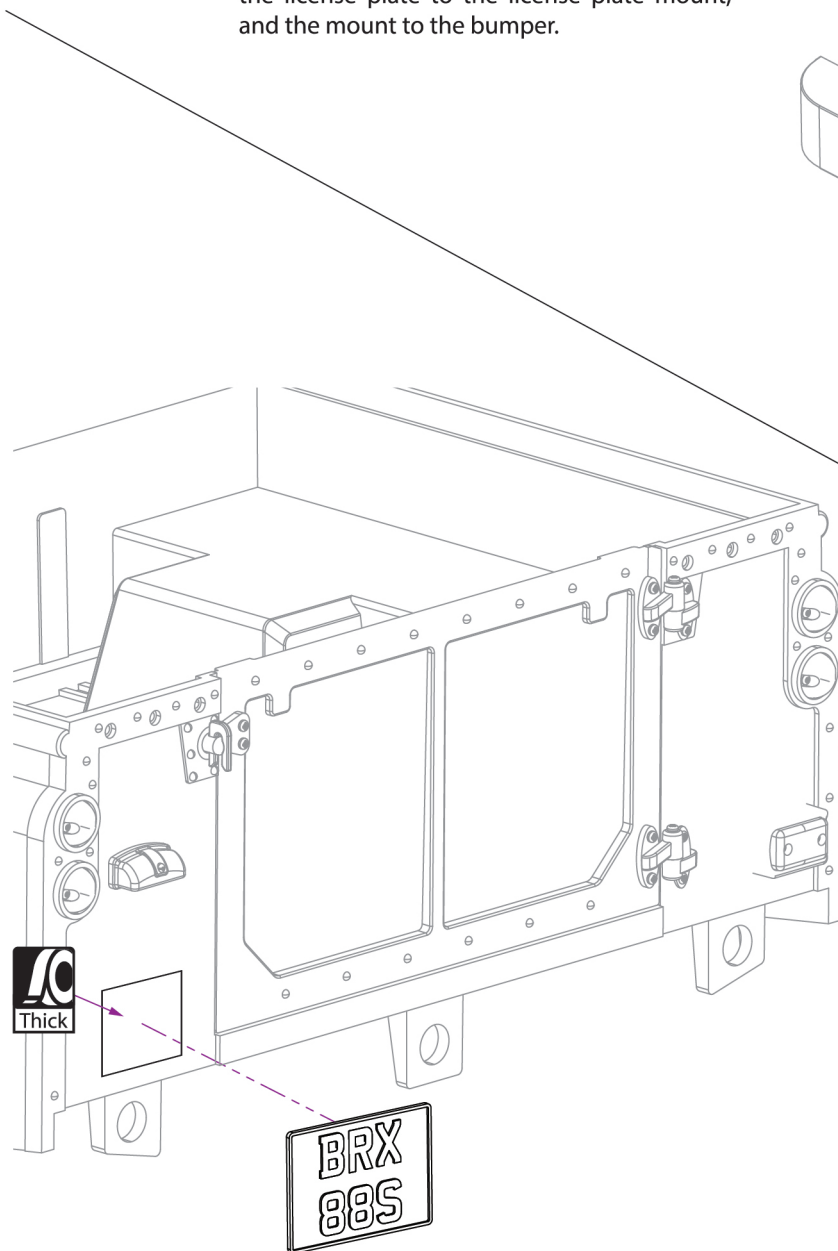
 STCS3x6 x 2

23

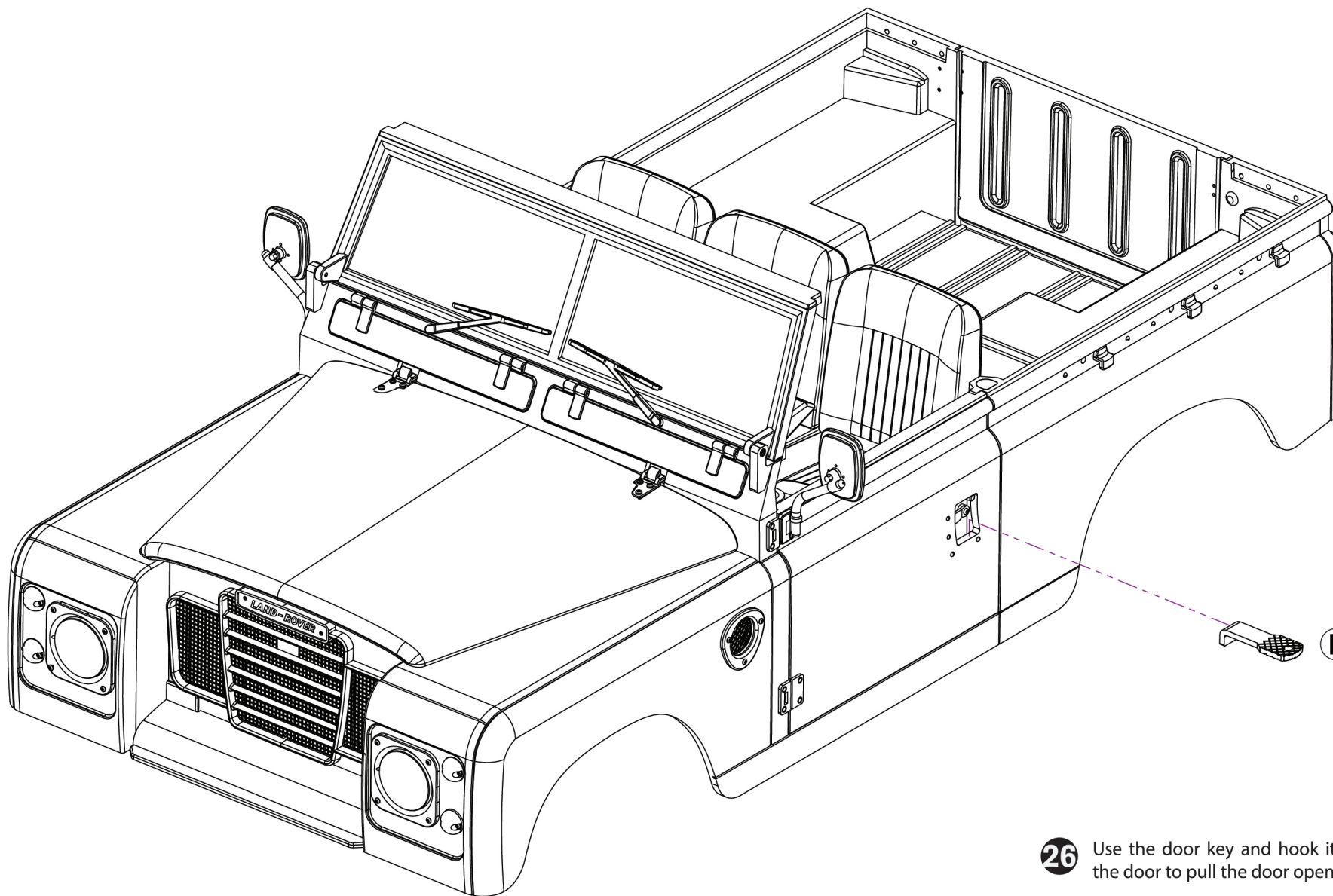
Attach the left and right bonnet hinge to the bonnet with six ST1.2x4 screws and two STCS3x6 screws into the bonnet.



- 24** Snap the blanking plate onto the front chassis crossmember. Use double-sided tape to attach the license plate to the license plate mount, and the mount to the bumper.



- 25** Use double-sided tape to attach the rear license plate onto the body below the license plate light.



26 Use the door key and hook it onto the door to pull the door open.



 @BOOM_RACING

 BOOMRACINGRC

 SALES@BOOMRACING.COM

WWW.BOOMRACING.COM

BOOMRACING  [®]
Your Radio Control Car Specialist



Land Rover and the Land Rover Logo are trademarks owned and licensed by Jaguar Land Rover Limited.